



FP767

Low Speed Drill, Screwdriver, Nutrunner Kit



FP767

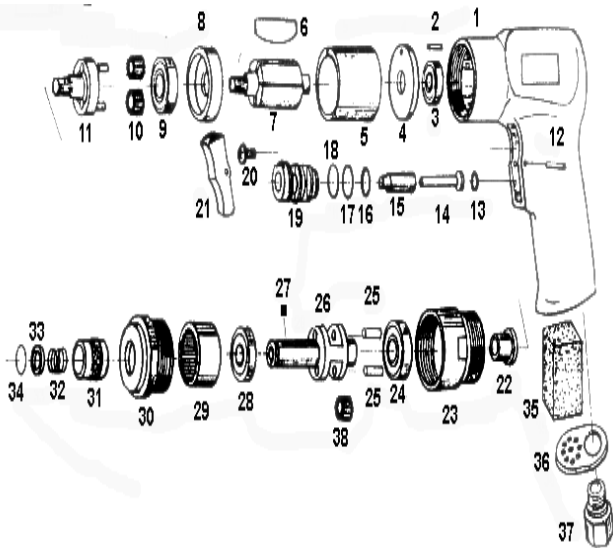
Low Speed Drill, Screwdriver, Nutrunner Kit

Clutch Type.....	Direct Drive
Max. Screw Capacity.....	M6 (1/4")
Free speed	500 RPM
Stall Torque.....	110 lb. in / 12.5 Nm
Weight.....	2-1/4 lbs.
Overall length.....	6 1/4"
Recommended hose size.....	3/8" I.D.
Air inlet.....	1/4" NPT
Maximum operating pressure.....	90 PSI

Parts Breakdown for FP767

Replacement Parts for FP767

Ref.	Description	Part #	Ref.	Description	Part #
1	Motor Housing	935001	20	Screw	935004
2	Spring Pin	980006	21	Trigger	935002
3	Ball Bearing	925004	22	Bushing	960016A
4	End Plate	925003	23	Housing	935015A
5	Cylinder	935009	24	Ball Bearing	935060
6	Rotor Blade (5)	925007	25	Planet Pin (2)	935059
7	Rotor	935002A	26	Planet Cage	990010A
8	Front Plate	935008	27	Steel Ball (3)	935094
9	Ball Bearing	925023	28	Ball Bearing	935069
10	Gear & Bushing (3)	935018B	29	Internal Gear	935012A
11	Planet Cage	960011A	30	Screw Housing	935014S
12	Roll Pin	923102	31	Quick Change Bushing	935023
13	O-Ring (2)	935016	32	Spring	935018
14	Valve Stem (2)	935007	33	Ring Washer	935024
15	Sleeve (2)	935006	34	Wire Ring	935019
16	O-Ring (2)	935039	35	Muffler	935049
17	O-Ring (2)	935003	36	Difuser Exhaust	935062
18	O-Ring (2)	910445	37	Air Inlet Bushing	935061
19	Throttle Bushing (2)	935005	38	Gear & Bushing (2)	90014B



Limited Warranty

Florida Pneumatic warrants its tools to be free from defects in material and workmanship for two years from the date of purchase. This warranty does not apply to tools which have been abused, misused, modified or repaired by someone other than Florida Pneumatic or its authorized service centers. If a Florida Pneumatic proves defective in material of workmanship within one year after purchase, return it to any authorized service center or to Florida Pneumatic, freight prepaid. Please enclose your name, address and adequate proof of purchase date with a brief description of the defect. Florida Pneumatic will, at its option, repair or replace defective tools, free of charge. Repairs or replacements are warranted as described above for the remainder of the warranty period. Florida Pneumatic's sole liability and your exclusive remedy under this warranty is limited to repair or replacement of the defective tool. There are no other warranties expressed or implied and Florida Pneumatic shall not be liable for incidental, consequential or special damages, or any other damages, costs or expense of repair or replacement as described above.