

PLEASE READ AND FOLLOW ALL WARNINGS



FP735 & FP735W

1/4" Mini Ratchet Sq. Dr. & 3/8" Wobble Dr.

Read Operating Instructions

Always become familiar with all the instructions and warnings before operating any power tool.

Always Wear Approved Eye Protection

Impact resistant eye protection should meet or exceed the standards as set forth in the United States ANSI Z87.1, Occupational and Educational Eye and Face Protection. Look for the marking Z87.1 on your eye protection to insure that it is an approved style. For further information, ANSI Z87.1, Occupational and Educational Eye and Face Protection, is available from the American National Standards Institute, Inc., 11 West 42nd Street, New York, NY 10036.

Hearing Protection is Recommended

Hearing protection should be used when the noise level exposure equals or exceeds an 8 hour time-weighted average sound level of 85 dBA. Process noise, reflective surfaces, other tools being operated nearby, all add to the noise level present in your work area. If you are unable to determine your noise level exposure, we recommend the use of hearing protection.

Avoid Prolonged Exposure to Vibration

Tools can vibrate during use. Prolonged exposure to vibration or very repetitive hand and arm movements, can cause injury. Stop using any tool if discomfort, tingling feeling or pain occurs. You should consult your physician before resuming use of the tool.

90 PSIG Maximum

This tool is designed to operate at

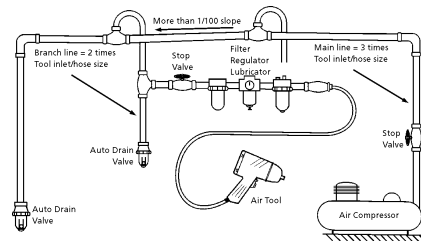
an air pressure of 90 pounds per square inch gauge pressure (90 PSIG) maximum, at the tool. Use of higher air pressure can, and may cause injury. Also, the use of higher air pressure places the internal components under loads and stresses they were not designed for, causing premature failure. The air supply should be clean and dry, preferably lubricated. For best results, drain the moisture from your compressor daily.

WARNING:

Some dust created by power sanding, sawing, grinding, drilling, and other construction activities contains chemicals known to cause cancer, birth defects or reproductive harm. Some examples of these chemicals are:

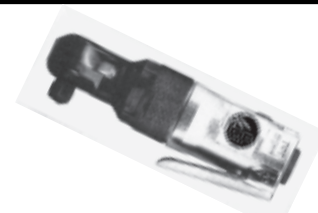
- Lead from lead-based paints
- Crystalline silica from bricks, cement and other masonry products
- Arsenic and chromium from chemically treated lumber

Your risk from these exposures varies, depending on how often you do this type of work. To reduce your exposure to these chemicals, work in a well-ventilated area and work with approved safety equipment such as those dust masks that are specially designed to filter out microscopic particles.



Description

Florida Pneumatic ratchet wrench is designed for a wide variety of fastening applications. This is designed specifically for use in ultra tight access areas. A built-in power regulator. Only 5" long and 1 lb total weight. Very fast run speed at 330 rpms. Rear exhaust to direct air away from work surface.



Safety Instructions

The following instructions are furnished as general guidelines for use of your pneumatic tool. They cannot comprehensively cover all possible or conceivable uses of the subject tool. For additional information on the safe use of air tools, we advise you to obtain a copy of ANSI B186.1 Safety Code for Portable Air Tools, available from the following source:

American National Standards Institute, Inc.
11 West 42nd Street
New York, NY 10036.

The use of the word "shall" in the following instructions, indicates that adherence to the particular requirement is necessary to conform to ANSI B186.1.

Tool Application and Usage

Portable tools shall be used only for the purposes intended in their design and within the capacity for which they were intended and rated. It shall be the tool owner's and/or employer's responsibility to instruct each operator in the safe use of the tool. Tools shall not be used without guards and safety

devices as furnished by the manufacturer. Where an air tool is modified or altered, the modifier shall provide the safeguards to enable it to be safely used in the operations intended and to comply with any applicable provisions as contained in ANSI B186.1.

Tool Installation

Pressure regulators shall be used to limit air pressure to the rated pressure where the supply pressure exceeds the tool's rated pressure. Air hoses and lines shall be relieved of compressed air before being disconnected or disjoined, unless there is automatic valve closing protection at the joint being separated. Synthetic lubricants which can cause deterioration of elastomer seals shall not be used in air systems of air tools.

Tool Maintenance

It shall be the tool owner's and/or employer's responsibility to assure that tools are maintained in a safe operating condition. Tool maintenance and repair shall be performed by authorized, trained, competent personnel. Tools shall be disconnected from their compressed air supply before repairs are attempted. Repairs shall be consistent with the manufacturer's recommended procedures. Tool, hoses and fittings shall be replaced if unsuitable for safe operation. It shall be the tool owner's and/or employer's responsibility to keep required rating markings and warnings on the tool in legible condition.

Florida Pneumatic Manufacturing Corporation
851 Jupiter Park Lane, Jupiter, Florida 33458
Toll Free 1-800-327-9403

Read these instructions carefully before attempting to install, operate or service this Florida Pneumatic product. Failure to comply with the instructions could result in personal injury and/or property damage! Retain these instructions for future reference.





FP735 & FP735W

1/4" Mini Ratchet Sq. Dr. & 3/8" Wobble Dr.



AIR TOOLS

FP735 & FP735W

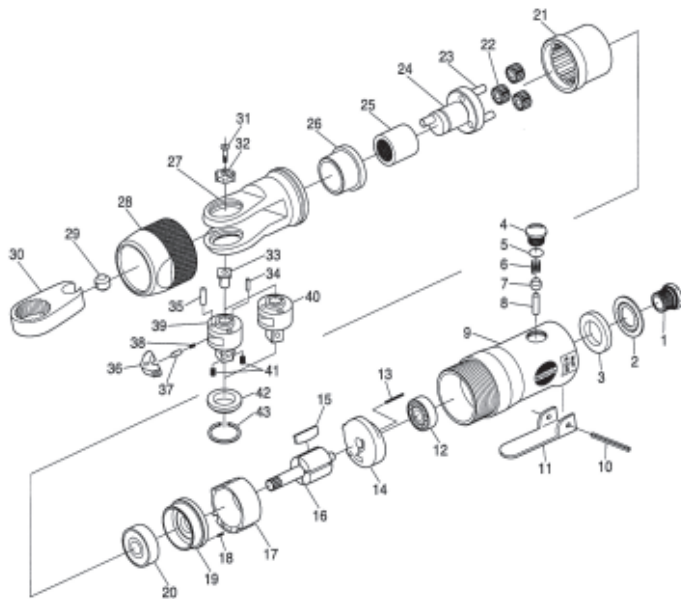
1/4" Mini Ratchet Sq. Dr. & 3/8" Wobble Dr.

Drive size.....	1/4" & 3/8"
Free speed.....	330 RPM
Maximum Torque.....	18 ft.-lbs.
Bolt Capacity.....	3/8"
Weight.....	1 lbs.
Overall length.....	5"
Air consumption.....	3 CFM
Recommended hose size.....	3/8"
Air inlet.....	1/4" NPT
Maximum operating press.....	90 PSI

Parts Breakdown for FP735 & FP735W

USE ONLY POWER SOCKETS & ACCESSORIES

Sockets and accessories used shall be of the power socket type. Always check sockets, retainers and drives regularly for wear or damage and replace whenever necessary



Replacement Parts for FP735 & FP735W

Ref.	Description	Part #	Ref.	Description	Part #
1	Bushing	8901358	23	Planet Pin (3)	8731967
2	Silencer	8901294	24	Crank Shaft Incl. Pins	8901365
3	Body Cover	8901293	25	Needle Bearing	8901366
4	Valve Screw	8729173	26	Needle Housing	8901367
5	O-Ring	8900990	27	Ratchet Housing	8901368
6	Valve Spring	8729163	28	Lock Ring	8901369
7	Valve	8729165	29	Drive Bushing	8901370
8	Valve Pin	8900270	30	Yoke	8901371
9	Motor Housing Incl. Bush.	8901359	31	Counter Sink	8901372
10	Roll Pin	8729167	32	Reverse Dial	8901373
11	Throttle Lever	8900991	33	Reverse Shaft	8901374
12	Ball Bearing	8901249	34	Roll Pin	8731988
13	Roll Pin	8732234	35	Dowel Pin	8901375
14	Rear Plate	8901360	36	Ratchet Pawl	8901376
15	Rotor Blade (4)	8901361	37	Reverse Pin	8731979
16	Rotor	8901362	38	Reverse Spring	8731980
17	Cylinder	8901363	39	3/8" Wobble Anvil	8901377
18	Roll Pin	8901231	40	1/4" Sq. Anvil	8901378
19	Front Plate	8731964	41	Thrust Washer Spring (2)	8901379
20	Ball Bearing	8731274	42	Thrust Washer	8901380
21	Internal Gear	8901364	43	Retaining Ring	8901381
22	Planet Gear (3)	8731969			

Limited Warranty

Florida Pneumatic warrants its tools to be free from defects in material and workmanship for two years from the date of purchase. This warranty does not apply to tools which have been abused, misused, modified or repaired by someone other than Florida Pneumatic or its authorized service centers. If a Florida Pneumatic proves defective in material of workmanship within one year after purchase, return it to any authorized service center or to Florida Pneumatic, freight prepaid. Please enclose your name, address and adequate proof of purchase date with a brief description of the defect. Florida Pneumatic will, at its option, repair or replace defective tools, free of charge. Repairs or replacements are warranted as described above for the remainder of the warranty period. Florida Pneumatic's sole liability and your exclusive remedy under this warranty is limited to repair or replacement of the defective tool. There are no other warranties expressed or implied and Florida Pneumatic shall not be liable for incidental, consequential or special damages, or any other damages, costs or expense of repair or replacement as described above.