

PLEASE READ AND FOLLOW ALL WARNINGS



3/8" Quick Reverse Ratchet

Read Operating Instructions

Always become familiar with all the instructions and warnings before operating any power tool.



Always Wear Approved Eye Protection

Impact resistant eye protection should meet or exceed the standards as set forth in the United States ANSI Z87.1, Occupational and Educational Eye and Face Protection. Look for the marking Z87.1 on your eye protection to insure that it is an approved style. For further information, ANSI Z87.1, Occupational and Educational Eye and Face Protection, is available from the American National Standards Institute, Inc., 11 West 42nd Street, New York, NY 10036.



Hearing Protection is Recommended

Hearing protection should be used when the noise level exposure equals or exceeds an 8 hour time-weighted average sound level of 85 dBA. Process noise, reflective surfaces, other tools being operated nearby, all add to the noise level present in your work area. If you are unable to determine your noise level exposure, we recommend the use of hearing protection.



Avoid Prolonged Exposure to Vibration

Tools can vibrate during use. Prolonged exposure to vibration or very repetitive hand and arm movements, can cause injury. Stop using any tool if discomfort, tingling feeling or pain occurs. You should consult your physician before resuming use of the tool.



90 PSIG Maximum

This tool is designed to operate at

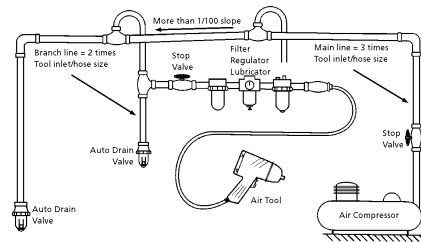
an air pressure of 90 pounds per square inch gauge pressure (90 PSIG) maximum, at the tool. Use of higher air pressure can, and may cause injury. Also, the use of higher air pressure places the internal components under loads and stresses they were not designed for, causing premature failure. The air supply should be clean and dry, preferably lubricated. For best results, drain the moisture from your compressor daily.

WARNING:

Some dust created by power sanding, sawing, grinding, drilling, and other construction activities contains chemicals known to cause cancer, birth defects or reproductive harm. Some examples of these chemicals are:

- Lead from lead-based paints
- Crystalline silica from bricks, cement and other masonry products
- Arsenic and chromium from chemically treated lumber

Your risk from these exposures varies, depending on how often you do this type of work. To reduce your exposure to these chemicals, work in a well-ventilated area and work with approved safety equipment such as those dust masks that are specially designed to filter out microscopic particles.



Description

Florida Pneumatic ratchet wrench is designed for a wide variety of fastening applications. This unit features a patented reverse-change rotation on the job. A built-in toggle style power regulator. Ergonomic grip with sunken throttle lever. Extended flat head design improves access. Visual rotation direction indicators. Heavy duty anti-ratchet head.



Safety Instructions

The following instructions are furnished as general guidelines for use of your pneumatic tool. They cannot comprehensively cover all possible or conceivable uses of the subject tool. For additional information on the safe use of air tools, we advise you to obtain a copy of ANSI B186.1 Safety Code for Portable Air Tools, available from the following source:

American National Standards Institute, Inc.
11 West 42nd Street
New York, NY 10036.

The use of the word "shall" in the following instructions, indicates that adherence to the particular requirement is necessary to conform to ANSI B186.1.

Tool Application and Usage

Portable tools shall be used only for the purposes intended in their design and within the capacity for which they were intended and rated. It shall be the tool owner's and/or employer's responsibility to instruct each operator in the safe use of the tool. Tools shall not be used without guards and safety

devices as furnished by the manufacturer. Where an air tool is modified or altered, the modifier shall provide the safeguards to enable it to be safely used in the operations intended and to comply with any applicable provisions as contained in ANSI B186.1.

Tool Installation

Pressure regulators shall be used to limit air pressure to the rated pressure where the supply pressure exceeds the tool's rated pressure. Air hoses and lines shall be relieved of compressed air before being disconnected or disjoined, unless there is automatic valve closing protection at the joint being separated. Synthetic lubricants which can cause deterioration of elastomer seals shall not be used in air systems of air tools.

Tool Maintenance

It shall be the tool owner's and/or employer's responsibility to assure that tools are maintained in a safe operating condition. Tool maintenance and repair shall be performed by authorized, trained, competent personnel. Tools shall be disconnected from their compressed air supply before repairs are attempted. Repairs shall be consistent with the manufacturer's recommended procedures. Tool, hoses and fittings shall be replaced if unsuitable for safe operation. It shall be the tool owner's and/or employer's responsibility to keep required rating markings and warnings on the tool in legible condition.

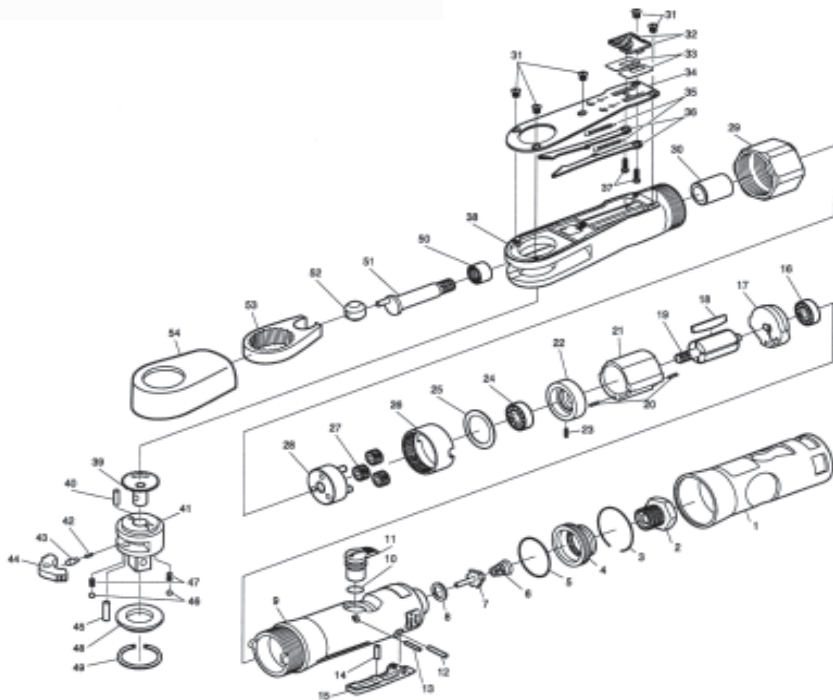


Drive size.....	3/8"
Free speed	200 RPM
Max. Torque.....	60 ft/lbs.
Bolt Capacity.....	1/2"
Weight.....	2.4 lbs.
Overall length.....	10.5"
Recommended hose size.....	3/8" I.D.
Air inlet.....	1/4" NPT
Maximum operating pressure.....	90 PSI

Parts Breakdown for FP733

USE ONLY POWER SOCKETS & ACCESSORIES

Sockets and accessories used shall be of the power socket type. Always check sockets, retainers and drives regularly for wear or damage and replace whenever necessary



Replacement Parts for FP733

Ref.	Description	Part #	Ref.	Description	Part #
1	Body Cover	8901260	28	Cage incl. Idle Gear	8732446
2	Inlet Bushing	8901261	29	Rock Ring	8901275
3	Retaining Ring	8901262	30	Bush	8731039
4	Deflector	8901263	31	Screw (5)	8901276
5	O-Ring	8732247	32	Reverse Button (2)	8901277
6	Valve Spring	8901264	33	Plate (2)	8901278
7	Valve	8901265	34	Cover Plate	8901288
8	Valve Seat	8901266	35	Spring (2)	8901280
9	Body	8901267	36	Reverse Arm	8901289
10	O-Ring	8732155	37	Cap Screw	8901282
11	Air Regulator	8901268	38	Ratchet Housing	8901290
12	Roll Pin	8731259	39	Reverse Gear	8901284
13	Roll Pin	8731930	40	Roll Pin	8731267
14	Valve Pin	8900270	41	Spindle	8901285
15	Throttle Lever	8901269	42	Reverse Spring	8729168
16	Ball Bearing	8729012	43	Reverse Pin	8729190
17	Rear Plate	8901270	44	Ratchet Pawl	8729170
18	Rotor Blade (4)	8732445	45	Ratchet Pin	8729197
19	Rotor	8731034	46	Steel Ball (2)	81004968
20	Roll Pin (2)	8729182	47	Spring (2)	8729175
21	Cylinder	8901271	48	Thrust Washer	8729194
22	Front Plate	8901272	49	Snap Ring	8729191
23	Roll Pin	8731959	50	Needle Bearing	8729186
24	Ball Bearing	8731274	51	Crank Shaft	8731041
25	Washer	8901273	52	Driver Bush	8729177
26	Internal Gear	8901274	53	Ratchet Yoke	8729200
27	Idle Gear (3)	8731038	54	Boot	8901287
			*	Ratchet Head Ass'y	8901285-10

Limited Warranty

Florida Pneumatic warrants its tools to be free from defects in material and workmanship for two years from the date of purchase. This warranty does not apply to tools which have been abused, misused, modified or repaired by someone other than Florida Pneumatic or its authorized service centers. If a Florida Pneumatic proves defective in material of workmanship within one year after purchase, return it to any authorized service center or to Florida Pneumatic, freight prepaid. Please enclose your name, address and adequate proof of purchase date with a brief description of the defect. Florida Pneumatic will, at its option, repair or replace defective tools, free of charge. Repairs or replacements are warranted as described above for the remainder of the warranty period. Florida Pneumatic's sole liability and your exclusive remedy under this warranty is limited to repair or replacement of the defective tool. There are no other warranties expressed or implied and Florida Pneumatic shall not be liable for incidental, consequential or special damages, or any other damages, costs or expense of repair or replacement as described above.