

PLEASE READ AND FOLLOW ALL WARNINGS



FP730

3/8" Heavy Duty Ratchet

Read Operating Instructions

Always become familiar with all the instructions and warnings before operating any power tool.



Always Wear Approved Eye Protection

Impact resistant eye protection should meet or exceed the standards as set forth in the United States ANSI Z87.1, Occupational and Educational Eye and Face Protection. Look for the marking Z87.1 on your eye protection to insure that it is an approved style. For further information, ANSI Z87.1, Occupational and Educational Eye and Face Protection, is available from the American National Standards Institute, Inc., 11 West 42nd Street, New York, NY 10036.



Hearing Protection is Recommended

Hearing protection should be used when the noise level exposure equals or exceeds an 8 hour time-weighted average sound level of 85 dBA. Process noise, reflective surfaces, other tools being operated nearby, all add to the noise level present in your work area. If you are unable to determine your noise level exposure, we recommend the use of hearing protection.



Avoid Prolonged Exposure to Vibration

Tools can vibrate during use. Prolonged exposure to vibration or very repetitive hand and arm movements, can cause injury. Stop using any tool if discomfort, tingling feeling or pain occurs. You should consult your physician before resuming use of the tool.



90 PSIG Maximum

This tool is designed to operate at

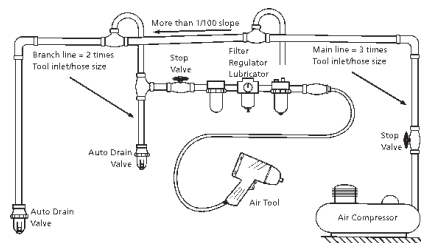
an air pressure of 90 pounds per square inch gauge pressure (90 PSIG) maximum, at the tool. Use of higher air pressure can, and may cause injury. Also, the use of higher air pressure places the internal components under loads and stresses they were not designed for, causing premature failure. The air supply should be clean and dry, preferably lubricated. For best results, drain the moisture from your compressor daily.

WARNING:

Some dust created by power sanding, sawing, grinding, drilling, and other construction activities contains chemicals known to cause cancer, birth defects or reproductive harm. Some examples of these chemicals are:

- Lead from lead-based paints
- Crystalline silica from bricks, cement and other masonry products
- Arsenic and chromium from chemically treated lumber

Your risk from these exposures varies, depending on how often you do this type of work. To reduce your exposure to these chemicals, work in a well-ventilated area and work with approved safety equipment such as those dust masks that are specially designed to filter out microscopic particles.



Description

Florida Pneumatic ratchet wrench is designed for a wide variety of fastening applications. This unit features a lever type throttle for convenient operation, front exhaust directs air away from operator and a ball type socket retainer for quick and easy socket removal. 1 1/8" ratchet head height for use in tight areas.



Safety Instructions

The following instructions are furnished as general guidelines for use of your pneumatic tool. They cannot comprehensively cover all possible or conceivable uses of the subject tool. For additional information on the safe use of air tools, we advise you to obtain a copy of ANSI B186.1 Safety Code for Portable Air Tools, available from the following source:

American National Standards Institute, Inc.
11 West 42nd Street
New York, NY 10036.

The use of the word "shall" in the following instructions, indicates that adherence to the particular requirement is necessary to conform to ANSI B186.1.

Tool Application and Usage

Portable tools shall be used only for the purposes intended in their design and within the capacity for which they were intended and rated. It shall be the tool owner's and/or employer's responsibility to instruct each operator in the safe use of the tool. Tools shall not be used without guards and safety

devices as furnished by the manufacturer. Where an air tool is modified or altered, the modifier shall provide the safeguards to enable it to be safely used in the operations intended and to comply with any applicable provisions as contained in ANSI B186.1.

Tool Installation

Pressure regulators shall be used to limit air pressure to the rated pressure where the supply pressure exceeds the tool's rated pressure. Air hoses and lines shall be relieved of compressed air before being disconnected or disjointed, unless there is automatic valve closing protection at the joint being separated. Synthetic lubricants which can cause deterioration of elastomer seals shall not be used in air systems of air tools.

Tool Maintenance

It shall be the tool owner's and/or employer's responsibility to assure that tools are maintained in a safe operating condition. Tool maintenance and repair shall be performed by authorized, trained, competent personnel. Tools shall be disconnected from their compressed air supply before repairs are attempted. Repairs shall be consistent with the manufacturer's recommended procedures. Tool, hoses and fittings shall be replaced if unsuitable for safe operation. It shall be the tool owner's and/or employer's responsibility to keep required rating markings and warnings on the tool in legible condition.

Florida Pneumatic Manufacturing Corporation
851 Jupiter Park Lane, Jupiter, Florida 33458
Toll Free 1-800-327-9403

Read these instructions carefully before attempting to install, operate or service this Florida Pneumatic product. Failure to comply with the instructions could result in personal injury and/or property damage! Retain these instructions for future reference.

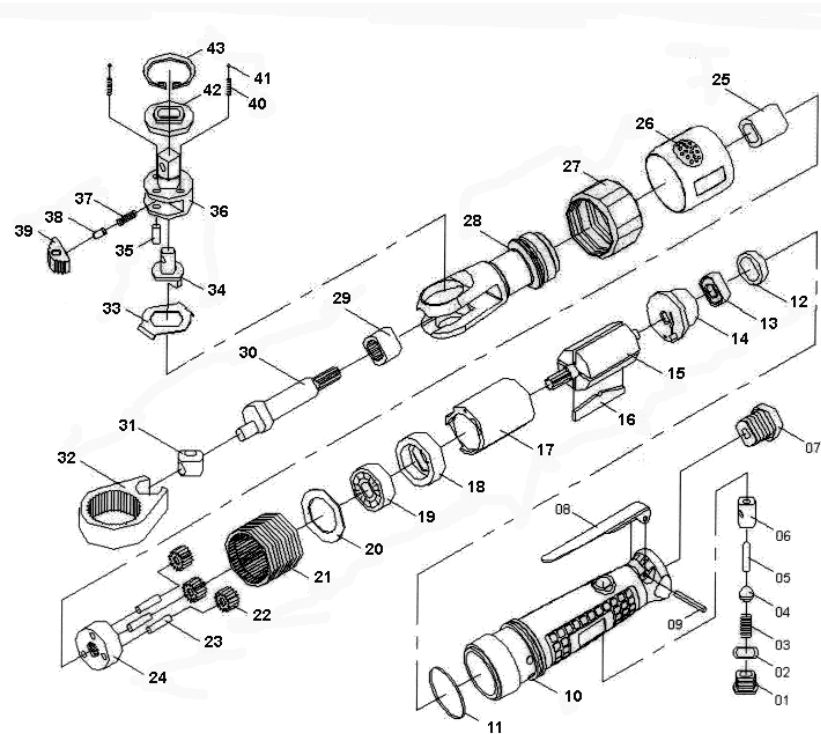
FPMC

Drive size.....	3/8"
Free speed	200 RPM
Max. Torque.....	60 ft/lbs.
Bolt Capacity.....	1/2"
Weight.....	2-1/2 lbs.
Overall length.....	10-1/4"
Recommended hose size.....	3/8" I.D.
Air inlet.....	1/4" NPT
Maximum operating pressure.....	90 PSI

Parts Breakdown for FP730

USE ONLY POWER SOCKETS & ACCESSORIES

Sockets and accessories used shall be of the power socket type. Always check sockets, retainers and drives regularly for wear or damage and replace whenever necessary



Replacement Parts for FP730

Ref.	Description	Part #	Ref.	Description	Part #
1	Plug	9225-00201	23	Gear Pivot (3)	9111-00406
2	O-Ring	9149-00301	24	Gear Plate	9243-00302
3	Thottle Valve Spring	9113-00303	25	Bushing	9141-00602
4	Valve	9225-00401	26	Exhaust Deflector	9225-00602
5	Valve Stem	9111-00405	27	Clamp Nut	9242-00302
6	Valve Bushing	9111-00802	28	Ratchet Housing	9310-0020301
7	Air Inlet Bushing	9111-00706	29	Needle Bearing	9149-00106
8	Throttle Lever	9212-01402	30	Crank Shaft	9111-00604
9	Spring Pin	9113-00505	31	Drive Bushing	9211-01202
10	Handle	9440-00109	32	Ratchet Yoke	9444-00102
11	Exhaust Deflector Seal	9149-00304	33	Washer	9112-01303
12	Bearing Cap	9225-00501	34	Reverse Button	9411-0110301
13	Ball Bearing	9149-00105	35	Pawl Pivot	9111-00407
14	Rear End Plate	9240-00204	36	Ratchet Anvil	9510-003041(2)
15	Rotor	9610-00103	37	Spring	9113-00314
16	Rotor Blade (4)	9225-00103	38	Spring Cap	9211-00302
17	Cylinder	9341-00103	39	Ratchet Pawl	9342-00101
18	Front End Plate	9240-00203	40	Friction Spring (2)	9113-00306
19	Ball Bearing	9149-00101	41	Steel Ball (2)	9149-00202
20	Washer	9212-01304	42	Thrust Washer	9311-01004(3)
21	Internal Gear	9442-00202	43	Retaining Ring	9113-00602
22	Planet Gear (3)	9141-00202			

Limited Warranty

Florida Pneumatic warrants its tools to be free from defects in material and workmanship for two years from the date of purchase. This warranty does not apply to tools which have been abused, misused, modified or repaired by someone other than Florida Pneumatic or its authorized service centers. If a Florida Pneumatic proves defective in material or workmanship within one year after purchase, return it to any authorized service center or to Florida Pneumatic, freight prepaid. Please enclose your name, address and adequate proof of purchase date with a brief description of the defect. Florida Pneumatic will, at its option, repair or replace defective tools, free of charge. Repairs or replacements are warranted as described above for the remainder of the warranty period. Florida Pneumatic's sole liability and your exclusive remedy under this warranty is limited to repair or replacement of the defective tool. There are no other warranties expressed or implied and Florida Pneumatic shall not be liable for incidental, consequential or special damages, or any other damages, costs or expense of repair or replacement as described above.