

PLEASE READ AND FOLLOW ALL WARNINGS



3/8" AIR RATCHET WRENCH

Read Operating Instructions

Always become familiar with all the instructions and warnings before operating any power tool.

Always Wear Approved Eye Protection

Impact resistant eye protection should meet or exceed the standards as set forth in the United States ANSI Z87.1, Occupational and Educational Eye and Face Protection. Look for the marking Z87.1 on your eye protection to insure that it is an approved style. For further information, ANSI Z87.1, Occupational and Educational Eye and Face Protection, is available from the American National Standards Institute, Inc., 11 West 42nd Street, New York, NY 10036.

Hearing Protection is Recommended

Hearing protection should be used when the noise level exposure equals or exceeds an 8 hour time-weighted average sound level of 85 dBA. Process noise, reflective surfaces, other tools being operated nearby, all add to the noise level present in your work area. If you are unable to determine your noise level exposure, we recommend the use of hearing protection.

Avoid Prolonged Exposure to Vibration

Tools can vibrate during use. Prolonged exposure to vibration or very repetitive hand and arm movements, can cause injury. Stop using any tool if discomfort, tingling feeling or pain occurs. You should consult your physician before resuming use of the tool.

90 PSIG Maximum

This tool is designed to operate at

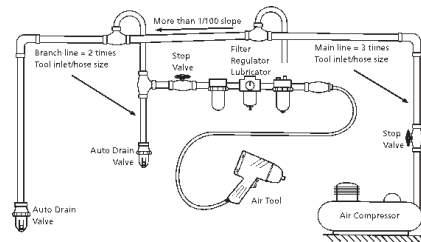
an air pressure of 90 pounds per square inch gauge pressure (90 PSIG) maximum, at the tool. Use of higher air pressure can, and may cause injury. Also, the use of higher air pressure places the internal components under loads and stresses they were not designed for, causing premature failure. The air supply should be clean and dry, preferably lubricated. For best results, drain the moisture from your compressor daily.

WARNING:

Some dust created by power sanding, sawing, grinding, drilling, and other construction activities contains chemicals known to cause cancer, birth defects or reproductive harm. Some examples of these chemicals are:

- Lead from lead-based paints
- Crystalline silica from bricks, cement and other masonry products
- Arsenic and chromium from chemically treated lumber

Your risk from these exposures varies, depending on how often you do this type of work. To reduce your exposure to these chemicals, work in a well-ventilated area and work with approved safety equipment such as those dust masks that are specially designed to filter out microscopic particles.



Description

This ratchet is designed for quick rundown or removal of threaded fasteners in production, assembly and automotive.



Safety Instructions

The following instructions are furnished as general guidelines for use of your pneumatic tool. They cannot comprehensively cover all possible or conceivable uses of the subject tool. For additional information on the safe use of air tools, we advise you to obtain a copy of ANSI B186.1 Safety Code for Portable Air Tools, available from the following source:

American National Standards Institute, Inc.
11 West 42nd Street
New York, NY 10036.

The use of the word "shall" in the following instructions, indicates that adherence to the particular requirement is necessary to conform to ANSI B186.1.

Tool Application and Usage

Portable tools shall be used only for the purposes intended in their design and within the capacity for which they were intended and rated. It shall be the tool owner's and/or employer's responsibility to instruct each operator in the safe use of the tool. Tools shall not be used without guards and safety

devices as furnished by the manufacturer. Where an air tool is modified or altered, the modifier shall provide the safeguards to enable it to be safely used in the operations intended and to comply with any applicable provisions as contained in ANSI B186.1.

Tool Installation

Pressure regulators shall be used to limit air pressure to the rated pressure where the supply pressure exceeds the tool's rated pressure. Air hoses and lines shall be relieved of compressed air before being disconnected or disjoined, unless there is automatic valve closing protection at the joint being separated. Synthetic lubricants which can cause deterioration of elastomer seals shall not be used in air systems of air tools.

Tool Maintenance

It shall be the tool owner's and/or employer's responsibility to assure that tools are maintained in a safe operating condition. Tool maintenance and repair shall be performed by authorized, trained, competent personnel. Tools shall be disconnected from their compressed air supply before repairs are attempted. Repairs shall be consistent with the manufacturer's recommended procedures. Tool, hoses and fittings shall be replaced if unsuitable for safe operation. It shall be the tool owner's and/or employer's responsibility to keep required rating markings and warnings on the tool in legible condition.

Read these instructions carefully before attempting to install, operate or service this Florida Pneumatic product. Failure to comply with the instructions could result in personal injury and/or property damage! Retain these instructions for future reference.

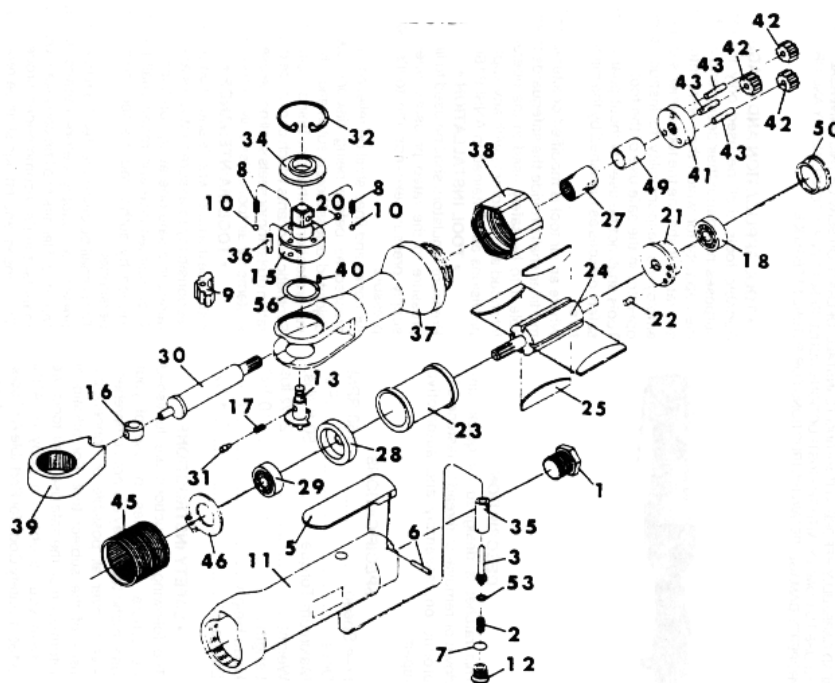


Florida Pneumatic
A Division of Florida Pneumatic Manufacturing Corporation
851 Jupiter Park Lane, Jupiter, Florida 33458
Toll Free 1-800-327-9403



Specifications

Drive size.....3/8"
 Free speed (No load).....160 RPM
 Max. Torque 50 ft. lbs.
 Weight.....2-1/2 lbs.
 Overall length.....10-1/4"
 Average air consumption......8 CFM
 Recommended hose size.....3/8" I.D.
 Air inlet.....1/4" NPT
 Maximum operating pressure.....90 psi



Ref. No.	Description	Part No.
1	Throttle Handle	9AR-38001
2	Throttle Spring	9AR-38002
3	Valve Stem	9AR-38003
5	Throttle Lever	9AR-38005
6	Spring Pin	9SP-25220
7	O-Ring	9ORP-0080
8	Friction Spring (2)	9AR-38008
9	Pawl Pawl	9AR-38C09
10	Steel Ball (2)	9SB-005
11	Throttle Handle	9AR-38011
12	Throttle Valve	9AR-38012
13	Reverse Button	9AR-38C13
15	Ratchet Anvil	9AR-38C15
16	Drive Bushing	9AR-38C16
17	Ratchet Spring	9AR-38F41
18	Ball Bearing	9BB-06262
20	Steel Ball	9SB-006
21	Rear End Plate	9AR-38021
22	Spring Pin	9SP-20060
23	Cylinder	9AR-33023
24	Rotor	9AR-38A24
25	Rotor Blade (4)	9AR-38025

Ref. No.	Description	Part No.
27	Needle Bearing	9AR-38027
28	Front End Plate	9AR-38028
29	Ball Bearing	9BB-06082
30	Crank Shaft	9AR-38A30
31	Spring Cap	9AR-38F42
32	Internal Stop Ring	9RTW-029
34	Thrust Washer	9AR-38C34
35	Throttle Valve	9AR-38035
36	Needle Roller	9NR-45130
37	Ratchet Housing	9AR-38C37
38	Clamp Nut	9AR-38C38
39	Ratchet Yoke	9AR-38C39
40	Spring Pin	9SP-25060
41	Idler Spindle	9AR-38041
42	Idle Gear (3)	9AR-38042
43	Needle Roller (3)	9NR-40170
45	Internal Gear	9AR-38C45
46	Exhaust Cover	9AR-12T46
49	Bushing	9AR-38049
50	Bearing Cap	9AR-38050
53	O-Ring	9ORP-0040
56	Washer	9AR-38056

Limited Warranty

Florida Pneumatic warrants its tools to be free from defects in material and workmanship for one year from the date of purchase. This warranty does not apply to tools which have been abused, misused, modified or repaired by someone other than Florida Pneumatic or its authorized service centers. If a Florida Pneumatic proves defective in material of workmanship within one year after purchase, return it to any authorized service center or to Florida Pneumatic, freight prepaid. Please enclose your name, address and adequate proof of purchase date with a brief description of the defect. Florida Pneumatic will, at its option, repair or replace defective tools, free of charge. Repairs or replacements are warranted as described above for the remainder of the warranty period. Florida Pneumatic's sole liability and your exclusive remedy under this warranty is limited to repair or replacement of the defective tool. There are no other warranties expressed or implied and Florida Pneumatic shall not be liable for incidental, consequential or special damages, or any other damages, costs or expense of repair or replacement as described above.