

PLEASE READ AND FOLLOW ALL WARNINGS



FP-719A

6" POLISHER

Read Operating Instructions

Always become familiar with all the instructions and warnings before operating any power tool.

Always Wear Approved Eye Protection

Impact resistant eye protection should meet or exceed the standards as set forth in the United States ANSI Z87.1, Occupational and Educational Eye and Face Protection. Look for the marking Z87.1 on your eye protection to insure that it is an approved style. For further information, ANSI Z87.1, Occupational and Educational Eye and Face Protection, is available from the American National Standards Institute, Inc., 11 West 42nd Street, New York, NY 10036.

Hearing Protection is Recommended

Hearing protection should be used when the noise level exposure equals or exceeds an 8 hour time-weighted average sound level of 85 dBA. Process noise, reflective surfaces, other tools being operated nearby, all add to the noise level present in your work area. If you are unable to determine your noise level exposure, we recommend the use of hearing protection.

Avoid Prolonged Exposure to Vibration

Tools can vibrate during use. Prolonged exposure to vibration or very repetitive hand and arm movements, can cause injury. Stop using any tool if discomfort, tingling feeling or pain occurs. You should consult your physician before resuming use of the tool.

90 PSIG Maximum

This tool is designed to operate at

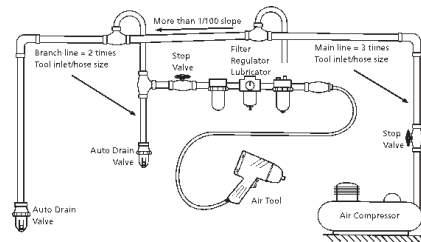
an air pressure of 90 pounds per square inch gauge pressure (90 PSIG) maximum, at the tool. Use of higher air pressure can, and may cause injury. Also, the use of higher air pressure places the internal components under loads and stresses they were not designed for, causing premature failure. The air supply should be clean and dry, preferably lubricated. For best results, drain the moisture from your compressor daily.

WARNING:

Some dust created by power sanding, sawing, grinding, drilling, and other construction activities contains chemicals known to cause cancer, birth defects or reproductive harm. Some examples of these chemicals are:

- Lead from lead-based paints
- Crystalline silica from bricks, cement and other masonry products
- Arsenic and chromium from chemically treated lumber

Your risk from these exposures varies, depending on how often you do this type of work. To reduce your exposure to these chemicals, work in a well-ventilated area and work with approved safety equipment such as those dust masks that are specially designed to filter out microscopic particles.



- 3,500 RPM
- Extra Heavy Duty Bearings & Planet Gears
- Side Exhaust Keeps Work Area Clear
- Precision Engineered



Safety Instructions

The following instructions are furnished as general guidelines for use of your pneumatic tool. They cannot comprehensively cover all possible or conceivable uses of the subject tool. For additional information on the safe use of air tools, we advise you to obtain a copy of CAGI B186.1-2009 Safety Code for Portable Air Tools, available from the following source: COMPRESSED AIR AND GAS INSTITUTE 1300 Sumner Avenue Cleveland, OH 44115-2851 Ph: 216-241-7333 www.cagi.org OR from Florida Pneumatic Manufacturing Corp. 851 Jupiter Park Lane Jupiter, FL 33458 561-744-9500 www.florida-pneumatic.com The use of the word "shall" in the following instructions, indicates that adherence to the particular requirement is necessary to conform to CAGI B186.1-2009.

Tool Application and Usage

Portable tools shall be used only for the purposes intended in their design and within the capacity for which they were intended and rated. It shall be the tool owner's and/or employer's responsibility to instruct each operator in the safe use of the tool. Tools shall

not be used without guards and safety devices as furnished by the manufacturer. Where an air tool is modified or altered, the modifier shall provide the safeguards to enable it to be safely used in the operations intended and to comply with any applicable provisions as contained in CAGI B186.1-2009.

Tool Installation

Pressure regulators shall be used to limit air pressure to the rated pressure where the supply pressure exceeds the tool's rated pressure. Air hoses and lines shall be relieved of compressed air before being disconnected or disjointed, unless there is automatic valve closing protection at the joint being separated. Synthetic lubricants which can cause deterioration of elastomer seals shall not be used in air systems of air tools.

Tool Maintenance

It shall be the tool owner's and/or employer's responsibility to assure that tools are maintained in a safe operating condition. Tool maintenance and repair shall be performed by authorized, trained, competent personnel. Tools shall be disconnected from their compressed air supply before repairs are attempted. Repairs shall be consistent with the manufacturer's recommended procedures. Tool, hoses and fittings shall be replaced if unsuitable for safe operation. It shall be the tool owner's and/or employer's responsibility to keep required rating markings and warnings on the tool in legible condition.



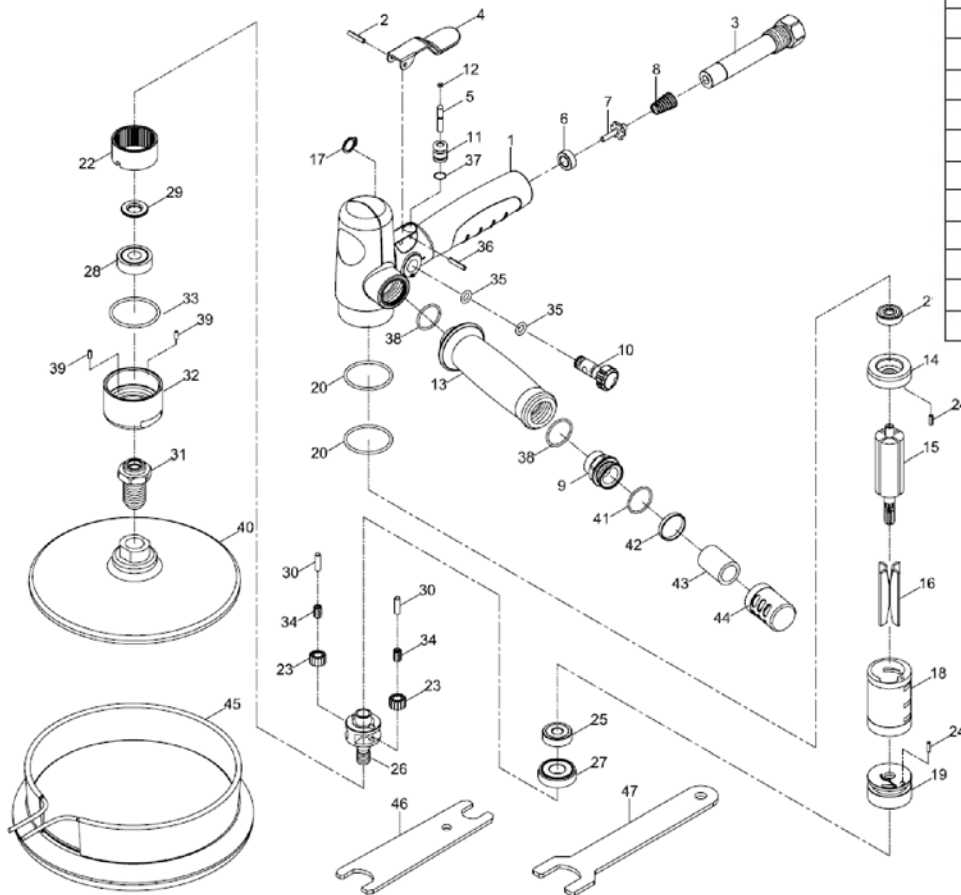
Florida Pneumatic
A Division of Florida Pneumatic Manufacturing Corporation
851 Jupiter Park Lane, Jupiter, Florida 33458
Toll Free 1-800-327-9403

Read these instructions carefully before attempting to install, operate or service this Florida Pneumatic product. Failure to comply with the instructions could result in personal injury and/or property damage! Retain these instructions for future reference.

FPMC

Specifications

Pad Size 6" Diameter
 Speed 3,500 RPM
 Spindle thread size 5/16"-24 Internal; 5/8"-11 External
 Weight 2.4lbs.
 Height 6-1/2"
 Average air consumption 10 CFM
 Recommended hose size 3/8" ID
 Air inlet 1/4" NPT
 Maximum operating pressure 90 PSIG



Ref#	Part No.	Description	Q'ty	Ref#	Part No.	Description	Q'ty
1	96N-663601	Motor Housing	1	24	961048	Spring Pin	2
2	940317	Spring Pin	1	25	9030120	Ball Bearing	1
3	96N-663603	Air Inlet	1	26	96N-663626	Idle Planet Cage	1
4	96N-663604-28	Throttle Lever	1	27	9060313	Ball Bearing	1
5	96N-663605	Valve Shaft	1	28	9051220	Ball Bearing	1
6	975-725145	Rubber Spacer	1	29	96N-663629	Spacer	1
7	975-725146	Valve Stem	1	30	930124	Pin	2
8	973108	Valve Spring	1	31	96F-663631	Spindle	1
9	96N-663617	Silencer Nut	1	32	96N-663632	Front Cap	1
10	96N-663610	Air Regulator Knob	1	33	96N-663633	Decoration Ring	1
11	96N-663611	Bushing	1	34	9070428	Needle Bearing	2
12	90R00200100	O-Ring	1	35	90R00600200	O-Ring	2
13	96N-663643	Side Handle	1	36	9SP02001200	Spring Pin	1
14	96N-663614	Rear End Plate	1	37	972804	O-Ring	1
15	96N-663615	Rotor	1	38	9795820	O-Ring	2
16	96N-663616	Rotor Blade	4	39	972017	Spring Pin	2
17	960319	Retaining Ring	1	40	96F-663639	Pad	1
18	96N-663618	Cylinder	1	41	962009-1	O-Ring	1
19	96N-663619	Front End Plate	1	42	962059	Ring	1
20	90R03203108	O-Ring	2	43	96N-663624	Damping Material	1
21	9030113	Ball Bearing	1	44	962056	Exhaust Deflector	1
22	96N-663622	Internal Gear	1	45	5426	Bornet	1
23	96N-663623	Idle Gear	2	46	951228	Spanner	1
				47	9610145	Spanner	1

Limited Warranty

Florida Pneumatic warrants its tools to be free from defects in material and workmanship for one year from the date of purchase. This warranty does not apply to tools which have been abused, misused, modified or repaired by someone other than Florida Pneumatic or its authorized service centers. If a Florida Pneumatic proves defective in material of workmanship within one year after purchase, return it to any authorized service center or to Florida Pneumatic, freight prepaid. Please enclose your name, address and adequate proof of purchase date with a brief description of the defect. Florida Pneumatic will, at its option, repair or replace defective tools, free of charge. Repairs or replacements are warranted as described above for the remainder of the warranty period. Florida Pneumatic's sole liability and your exclusive remedy under this warranty is limited to repair or replacement of the defective tool. There are no other warranties expressed or implied and Florida Pneumatic shall not be liable for incidental, consequential or special damages, or any other damages, costs or expense of repair or replacement as described above.