



Description

The Universal Tool model UT9922 Recoilless Chisel Scaler features a patented vibration dampening system. The low vibration and high blow frequency results in less operator fatigue and increased production. This versatile tool is designed for light scaling and chipping applications, such as the removal of weld flux, caulk, rust, paint and scale.



PLEASE READ AND FOLLOW ALL WARNINGS

Read Operating Instructions

Always become familiar with all the instructions and warnings before operating any pneumatic tool.

Always Wear Approved Eye Protection

Impact resistant eye protection should meet or exceed the standards as set forth in the United States ANSI Z87.1, Occupational and Educational Eye and Face Protection. Look for the marking Z87.1 on your eye protection to insure that it is an approved style. For further information, ANSI Z87.1, Occupational and Educational Eye and Face Protection, is available from the American National Standards Institute, Inc., 11 West 42nd Street, New York, NY 10036.



Hearing Protection is Recommended

Hearing protection should be used when the noise level exposure equals or exceeds an 8 hour time-weighted average sound level of 85dBA. Process noise, reflective surfaces, other tools being operated nearby, all add to the noise level present in your work area. If you are unable to determine your noise level exposure, we recommend the use of hearing protection.



Avoid Prolonged Exposure to Vibration

Pneumatic tools can vibrate during use. Prolonged exposure to vibration or very repetitive hand and arm movements, can cause injury. Stop using any tool if discomfort, tingling feeling or pain occurs. You should consult your physician before resuming use of the tool.



90 PSIG Maximum

This tool is designed to operate at an air pressure of 90 pounds per square inch gauge pressure (90 PSIG) maximum, at the tool. Use of higher air pressure can, and may cause injury. Also, the use of higher air pressure places the internal components under loads and stresses they were not designed for, causing premature tool failure. The air supply should be clean and dry, preferably lubricated. For best results, drain the moisture from your compressor daily.



Specifications

Chisel size	Ø" x Ø"
Blows per minute	9000
Stroke length	1/4"
Vibration level	2 m/s ²
Overall length	8 1/4"
Weight	3 1/4 lbs.
Air inlet	1/4" NPT
Minimum hose size	Ø" I.D.
Average air consumption	3 CFM
Maximum operating pressure	90 PSI



Installation

The UT9922 Recoilless Chisel Scaler is designed to operate with 90 PSIG. Lower pressure (below 90 PSIG) will reduce performance of the tool while higher air pressure (over 90 PSIG) raises the performance of the tool beyond its rated capacity and could cause serious damage to tool and operator.

Always use clean dry air. Excessive moisture and dirt will greatly reduce the life of any air tool. We recommend the installation of an in-line filter-regulator-lubricator as close to the tool as possible.

A 3/8" air hose is required up to a length of 8 ft. If more length is required, a 1/2" air hose should be connected to the 3/8" hose to ensure the tool has the necessary air supply. Be sure all hoses and fitting are the correct size and tightly secured.

Installing Chisels

Before the tool is connected to the air supply, clear the air hose of accumulated dust and moisture. Before removing a tool for service or changing accessories, make sure the air line is shut-off and drained of air. This will prevent the tool from operating if the throttle is accidentally engaged.

1. Loosen nut (Ref. No.1) with a standard 17mm wrench.
2. Insert the chisel between the two chisel retainers (Ref. No. 2) and retighten the nut.
3. Ensure that the chisel is properly held by retainers and nut is secured tightly.
4. Lubricate tool through inlet with air tool oil and run in a protected area to check operation.

For most applications, a chisel fitted with a tungsten carbide tip is recommended. Chisels for your application are available through your local Universal Tool distributor. Using chisels other than those recommended for the UT9922 may result in significantly higher vibration levels. See parts list for replacement chisels available.

⚠ Caution ⚠ - Never operate scaler without the chisel installed and pressed against the work surface. Doing so may result in personal injury or heavy wear damage to the tool.

⚠ Warning ⚠ - This tool may produce flying objects. Always wear eye protection during operation.

Operation

After properly setting up the tool, air lines, air supply and work area, the scaler is ready to use. The UT9922 does not operate like conventional scalers, tool operators should take time to familiarize themselves with the feel and operation of this design for best results.

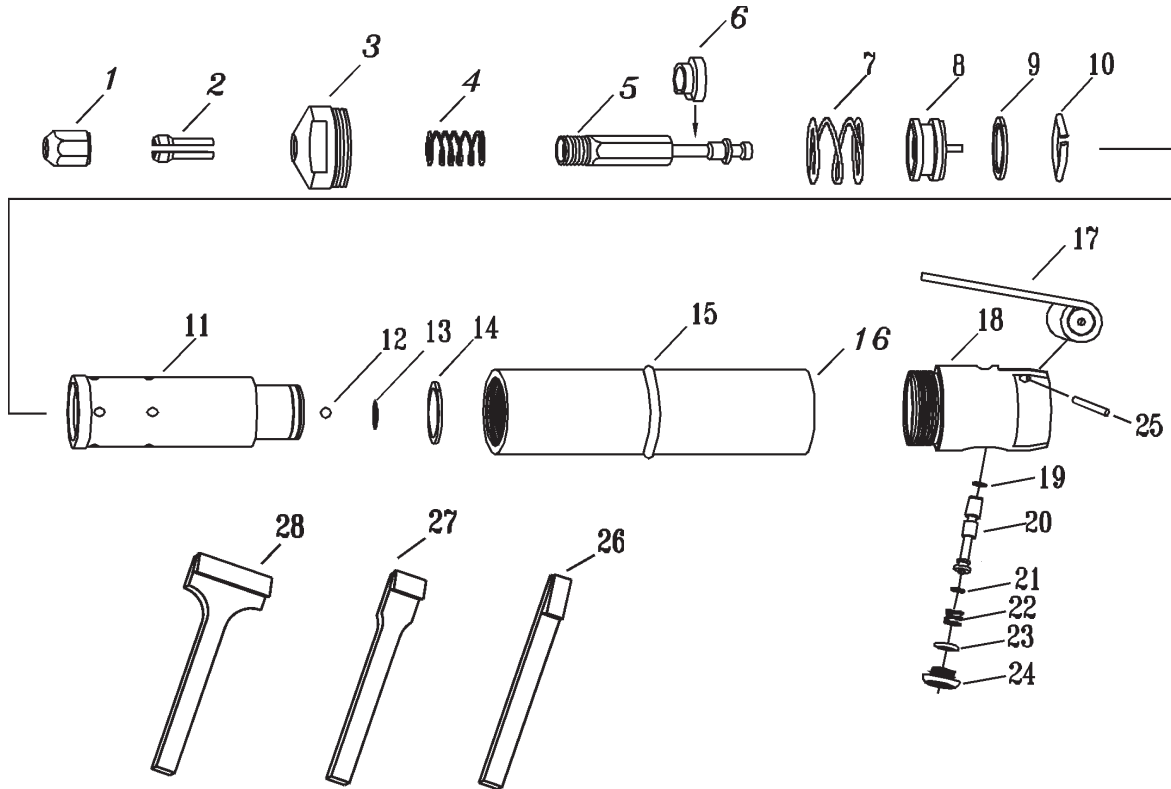
This model operates two to three times higher than the frequency of conventional scalers. The higher frequency results in smoother operation than with conventional scalers.

For efficient material removal, a light to medium force will give the best results. The tool should not be used to pry off material, hold tool firmly at an angle and let the tool do the work.

Lubricate tool regularly and properly. Always wear safety equipment during operation. Always check condition of tool before each use. Avoid free air operation of this tool, always apply tool to work before pressing throttle. This tool is designed for 1/8" X 3/8" sized chisel shanks. Different lengths may be used, but longer lengths should be avoided. Always check condition of chisels before use. Do not use damaged chisels.

Lubrication

1. An automatic in-line filter-regulator-lubricator is recommended to increase tool life and keeps the tool operating properly. The in-line lubricator should be regularly checked and filled with Marvel air tool oil or equivalent. Proper adjustment of the in-line lubricator is performed by placing a sheet of paper next to the tool exhaust ports and holding the throttle open approximately 30 seconds. (The lubricator is properly set when a light stain of oil collects on the paper). Excessive amounts of oil should be avoided as it will decrease tool performance.
2. In the event that it becomes necessary to store the tool for an extended period of time (overnight, weekend, etc.), it should receive a generous amount of lubrication at that time. The tool should be run for approximately 30 seconds to ensure oil has been evenly distributed throughout the tool. The tool should be stored in a clean and dry environment.
3. Recommended lubricants:
Use Marvel Air Tool Oil or any other high grade turbine oil containing moisture absorbents, rust inhibitors, metal wetting agents and an EP (extreme pressure) additive.



Replacement Parts List for UT9922 Recoilless Chisel Scaler

Ref.	Description	Part #	Qty	Ref.	Description	Part #	Qty
1	Nut	6H-95-01	1	17	Lever	120450	1
2	Chisel retainers	6H-95-03	1	18	Rear	260090	1
3	Front	6H-90-04	1	19	O-ring	115120	1
4	Spring	6S-100-08	1	20	Valve stem	120460	1
5	Piston extension	6H-90-02	1	21	O-ring	115145	1
6	Support	6H-90-06	1	22	Valve spring	118090	1
7	Spring	6S-100-09	1	23	O-ring	115135	1
8	Piston	6S-100-12	1	24	Valve cap	120470	1
9	Piston ring	6S-100-13	1	25	Pin	D847031	1
10	Limit ring	6H-90-14	1				
11	Cylinder	6H-90-18	1		Tungsten carbide tipped chisels		
12	Ball	6S-100-17	1	26	3/8" Blade	5340	1
13	Retainer	6S-100-19	1	27•	3/4" Blade	5350	1
14	Piston ring	6S-100-22	1	28	1-1/2" Blade	5360	1
15	Support ring	6H-90-16	1	•	Supplied with tool		
16	Housing	6H-90-05	1				



Limited Warranty

Universal Tool warrants its tools to be free from defects in material and workmanship for one year from the date of purchase. This warranty does not apply to tools which have been abused, misused, modified or repaired by someone other than Universal Tool or its authorized service centers. If a Universal Tool proves defective in material or workmanship within one year after purchase, return it to any authorized service center or to Universal Tool, freight prepaid. Please enclose your name, address and adequate proof of purchase date with a brief description of the defect. Universal Tool will, at its option, repair or replace defective tools, free of charge. Repairs or replacements are warranted as described above for the remainder of the warranty period. Universal Tool's sole liability and your exclusive remedy under this warranty is limited to repair or replacement of the defective tool. There are no other warranties expressed or implied and Universal Tool shall not be liable for incidental, consequential or special damages, or any other damages, costs or expense of repair or replacement as described above.

Trouble Shooting

Tool failure, loss of power or erratic action may be caused by factors outside the tool. Make the following checks:

1. Check air pressure. For rated performance, 90 PSIG air pressure is required AT THE TOOL with tool operating. A drop in air pressure may be caused by lowered compressor output, excessive drain on the air line or use of hose or connections of improper size (or in poor condition).
2. Check for wet or dirty air in system. Wet air tends to wash lubricant away from tool and may rust and corrode the components. Dirt and foreign matter in the air supply will impede action of the tool and cause damage to the internal mechanisms. If dirt or water has entered the tool, flush with Marvel air tool oil or equivalent.

Recommended Air Line Set-Up

