

PLEASE READ AND FOLLOW ALL WARNINGS



UT8941

RIVNUT SETTING TOOL

Read Operating Instructions

Always become familiar with all the instructions and warnings before operating any power tool.



Always Wear Approved Eye Protection

Impact resistant eye protection should meet or exceed the standards as set forth in the United States ANSI Z87.1, Occupational and Educational Eye and Face Protection. Look for the marking Z87.1 on your eye protection to insure that it is an approved style. For further information, ANSI Z87.1, Occupational and Educational Eye and Face Protection, is available from the American National Standards Institute, Inc., 11 West 42nd Street, New York, NY 10036.



Hearing Protection is Recommended

Hearing protection should be used when the noise level exposure equals or exceeds an 8 hour time-weighted average sound level of 85 dBA. Process noise, reflective surfaces, other tools being operated nearby, all add to the noise level present in your work area. If you are unable to determine your noise level exposure, we recommend the use of hearing protection.



Avoid Prolonged Exposure to Vibration

Tools can vibrate during use. Prolonged exposure to vibration or very repetitive hand and arm movements, can cause injury. Stop using any tool if discomfort, tingling feeling or pain occurs. You should consult your physician before resuming use of the tool.



90 PSIG Maximum

This tool is designed to operate at

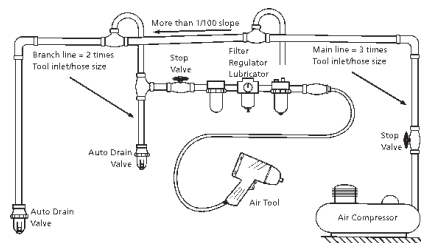
an air pressure of 90 pounds per square inch gauge pressure (90 PSIG) maximum, at the tool. Use of higher air pressure can, and may cause injury. Also, the use of higher air pressure places the internal components under loads and stresses they were not designed for, causing premature failure. The air supply should be clean and dry, preferably lubricated. For best results, drain the moisture from your compressor daily.

WARNING:

Some dust created by power sanding, sawing, grinding, drilling, and other construction activities contains chemicals known to cause cancer, birth defects or reproductive harm. Some examples of these chemicals are:

- Lead from lead-based paints
- Crystalline silica from bricks, cement and other masonry products
- Arsenic and chromium from chemically treated lumber

Your risk from these exposures varies, depending on how often you do this type of work. To reduce your exposure to these chemicals, work in a well-ventilated area and work with approved safety equipment such as those dust masks that are specially designed to filter out microscopic particles.



Description

Universal Tool Air Riveter Nut Tool is designed to set ribbed rivet nuts, hex body rivet nuts, and threaded inserts along with metric



Safety Instructions

The following instructions are furnished as general guidelines for use of your pneumatic tool. They cannot comprehensively cover all possible or conceivable uses of the subject tool. For additional information on the safe use of air tools, we advise you to obtain a copy of ANSI B186.1 Safety Code for Portable Air Tools, available from the following source:

American National Standards Institute, Inc.
11 West 42nd Street
New York, NY 10036.

The use of the word "shall" in the following instructions, indicates that adherence to the particular requirement is necessary to conform to ANSI B186.1.

Tool Application and Usage

Portable tools shall be used only for the purposes intended in their design and within the capacity for which they were intended and rated. It shall be the tool owner's and/or employer's responsibility to instruct each operator in the safe use of the tool. Tools shall not be used without guards and safety

devices as furnished by the manufacturer. Where an air tool is modified or altered, the modifier shall provide the safeguards to enable it to be safely used in the operations intended and to comply with any applicable provisions as contained in ANSI B186.1.

Tool Installation

Pressure regulators shall be used to limit air pressure to the rated pressure where the supply pressure exceeds the tool's rated pressure. Air hoses and lines shall be relieved of compressed air before being disconnected or disjoined, unless there is automatic valve closing protection at the joint being separated. Synthetic lubricants which can cause deterioration of elastomer seals shall not be used in air systems of air tools.

Tool Maintenance

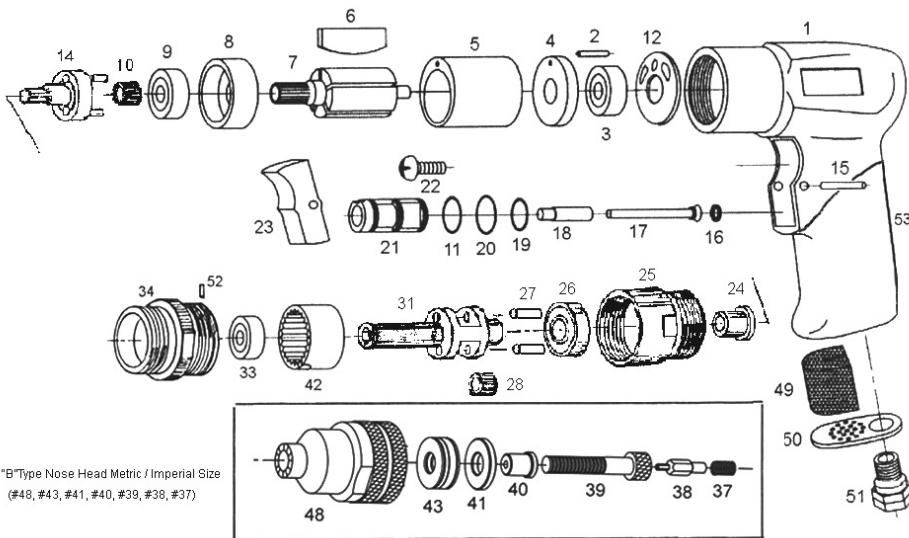
It shall be the tool owner's and/or employer's responsibility to assure that tools are maintained in a safe operating condition. Tool maintenance and repair shall be performed by authorized, trained, competent personnel. Tools shall be disconnected from their compressed air supply before repairs are attempted. Repairs shall be consistent with the manufacturer's recommended procedures. Tool, hoses and fittings shall be replaced if unsuitable for safe operation. It shall be the tool owner's and/or employer's responsibility to keep required rating markings and warnings on the tool in legible condition.

Universal Tool
A Division of Florida Pneumatic Manufacturing Corporation
851 Jupiter Park Lane, Jupiter, Florida 33458
Toll Free 1-800-327-9403

Read these instructions carefully before attempting to install, operate or service this Florida Pneumatic product. Failure to comply with the instructions could result in personal injury and/or property damage! Retain these instructions for future reference.

FPMC

Max. Riv. Net Cap.M6, M8, M10 and 1/4"-20, 5/16"-18, 3/8"-16
 Free speed (No load).....300RPM
 Weight.....2.8 lbs.
 Overall length.....7.25"
 Average air consumption.....5 CFM
 Recommended hose size.....3/8" I.D.
 Air inlet.....1/4" NPT
 Maximum operating pressure.....90 psi

Parts Breakdown for UT8941


"B"Type Nose Head Metric / Imperial Size
 (#48, #43, #41, #40, #39, #38, #37)

REF DESCRIPTION	PART NO.	QTY	REF DESCRIPTION	PART NO.	QTY
1 MOTOR HOUSING (SOFT TOUCH COATING)	9350010	1	39 BOLT M6	9M06010	1
2 SPRING PIN	9P2514	1	BOLT M8	9M08125	1
3 BALL BEARING	925004	1	BOLT M10	9M10015	1
4 REAR PLATE	925003F	1	BOLT 1/4"-20	9W14020	1
5 CYLINDER	935009	1	BOLT 5/16"-18	9W51618	1
6 ROTOR BLADE	925007HF	5	BOLT 3/8"-16	9W03816	1
7 ROTOR	935002A	1	40 BUSHING M6	960096	1
8 FRONT PLATE	925008	1	BUSHING 1/4"-20	96009614	1
9 BALL BEARING	925023F	1	41 WASHER M3-M6	960063	1
10 PLANET GEAR (18T)	935018B	5	WASHER (6-32, 8-32, 10-24, 10-32, 1/4"-20)	960063I	1
11 O-RING	910445	2	WASHER M8	935063	1
12 MOTOR GASKET	923211	1	42 WASHER 5/16"-18	935063I	1
14 PLANET CAGE (7T) + PIN	935011A	1	INTERNAL GEAR	935012A	1
15 ROLL PIN	925018B	1	43 NEEDLE BEARING M3-M8	935065	1
16 O-RING	935016	2	NEEDLE BEARING (6-32, 8-32, 10-24, 10-32, 1/4"-20, 5/16"-18)	935065I	1
17 VALVE STEM	935007	2	BALL BEARING M10	9B51100	1
18 SLEEVE	935006	2	BALL BEARING (3/8"-16)	9B51100I	1
19 O-RING	935039	2	48 NUT ANVIL M6	960006M	1
20 O-RING	935003	2	NUT ANVIL M8	960008M	1
21 THROTTLE BUSHING	935005	2	NUT ANVIL M10	960010M	1
22 SCREW	935004	1	NUT ANVIL 1/4"-20	96001-4-20	1
23 TRIGGER	935002	1	NUT ANVIL 5/16"-18	960008MI	1
24 BUSHING	935016A	1	NUT ANVIL 3/8"-16	960038	1
25 HOUSING	935015A	1	49 MUFFLER	935049	1
26 BALL BEARING	935060	1	50 DIFFUSER EXHAUST	935062	1
27 PLANET PIN	935059	2	51 AIR INLET BUSHING	935061	1
28 PLANET GEAR 18T	935018B	1	52 PIN	935029	1
31 PLANET CAGE	935010W	1	* WRENCH 34mm	9350W34	1
33 BALL BEARING	935069	1	* WRENCH 38mm	9350W38	1
34 SCREW HOUSING	935014F	1	* RUBBER SLEEVE	982162	1
37 SPRING	935076	1	* HEAD ASSEMBLY M6	UTA86220	1
38 HEXAGON BIT M6	9600006	1	* HEAD ASSEMBLY M8	UTA86225	1
HEXAGON BIT M8	9600008	1	* HEAD ASSEMBLY M10	UTA86230	1
HEXAGON BIT M10	9600010	1	* HEAD ASSEMBLY 1/4"-20	UTA86250	1
HEXAGON BIT 1/4"-20	9601420	1	* HEAD ASSEMBLY 5/16"-18	UTA86255	1
HEXAGON BIT 5/16"-18	9651618	1	* HEAD ASSEMBLY 3/8"-16	UTA86260	1
HEXAGON BIT 3/8"-16	9603816	1			

(*) NOT SHOWN

Limited Warranty

Universal Tool warrants its tools to be free from defects in material and workmanship for one year from the date of purchase. This warranty does not apply to tools which have been abused, misused, modified or repaired by someone other than Universal Tool or its authorized service centers. If a Universal Tool proves defective in material of workmanship within one year after purchase, return it to any authorized service center or to Universal Tool, freight prepaid. Please enclose your name, address and adequate proof of purchase date with a brief description of the defect. Universal Tool will, at its option, repair or replace defective tools, free of charge. Repairs or replacements are warranted as described above for the remainder of the warranty period. Universal Tool's sole liability and your exclusive remedy under this warranty is limited to repair or replacement of the defective tool. There are no other warranties expressed or implied and Universal Tool shall not be liable for incidental, consequential or special damages, or any other damages, costs or expense of repair or replacement as described above.