

PLEASE READ AND FOLLOW ALL WARNINGS

Universal Tool

UT8892-10

.45 HP Air Drill

Read Operating Instructions

Always become familiar with all the instructions and warnings before operating any power tool.

Always Wear Approved Eye Protection

Impact resistant eye protection should meet or exceed the standards as set forth in the United States ANSI Z87.1, Occupational and Educational Eye and Face Protection. Look for the marking Z87.1 on your eye protection to insure that it is an approved style. For further information, ANSI Z87.1, Occupational and Educational Eye and Face Protection, is available from the American National Standards Institute, Inc., 11 West 42nd Street, New York, NY 10036.

Hearing Protection is Recommended

Hearing protection should be used when the noise level exposure equals or exceeds an 8 hour time-weighted average sound level of 85 dBA. Process noise, reflective surfaces, other tools being operated nearby, all add to the noise level present in your work area. If you are unable to determine your noise level exposure, we recommend the use of hearing protection.

Avoid Prolonged Exposure to Vibration

Tools can vibrate during use. Prolonged exposure to vibration or very repetitive hand and arm movements, can cause injury. Stop using any tool if discomfort, tingling feeling or pain occurs. You should consult your physician before resuming use of the tool.

90 PSIG Maximum

This tool is designed to operate at

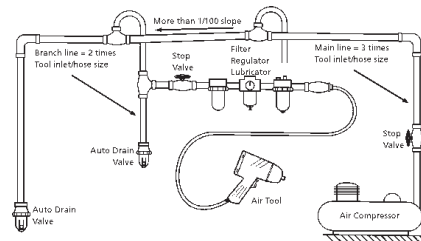
an air pressure of 90 pounds per square inch gauge pressure (90 PSIG) maximum, at the tool. Use of higher air pressure can, and may cause injury. Also, the use of higher air pressure places the internal components under loads and stresses they were not designed for, causing premature failure. The air supply should be clean and dry, preferably lubricated. For best results, drain the moisture from your compressor daily.

WARNING:

Some dust created by power sanding, sawing, grinding, drilling, and other construction activities contains chemicals known to cause cancer, birth defects or reproductive harm. Some examples of these chemicals are:

- Lead from lead-based paints
- Crystalline silica from bricks, cement and other masonry products
- Arsenic and chromium from chemically treated lumber

Your risk from these exposures varies, depending on how often you do this type of work. To reduce your exposure to these chemicals, work in a well-ventilated area and work with approved safety equipment such as those dust masks that are specially designed to filter out microscopic particles.



.45 HP Production and Aircraft Drills

Feature a low noise level (75 dBA); Lubrication free air motor with machined carbon fiber vanes; fully caged planetary gears with needle bearings and ergonomic handle and trigger with "Softouch" to insulate in cold temperatures.



devices as furnished by the manufacturer. Where an air tool is modified or altered, the modifier shall provide the safeguards to enable it to be safely used in the operations intended and to comply with any applicable provisions as contained in ANSI B186.1.

Safety Instructions

The following instructions are furnished as general guidelines for use of your pneumatic tool. They cannot comprehensively cover all possible or conceivable uses of the subject tool. For additional information on the safe use of air tools, we advise you to obtain a copy of ANSI B186.1 Safety Code for Portable Air Tools, available from the following source:

American National Standards Institute, Inc.
11 West 42nd Street
New York, NY 10036.

The use of the word "shall" in the following instructions, indicates that adherence to the particular requirement is necessary to conform to ANSI B186.1.

Tool Application and Usage

Portable tools shall be used only for the purposes intended in their design and within the capacity for which they were intended and rated. It shall be the tool owner's and/or employer's responsibility to instruct each operator in the safe use of the tool. Tools shall not be used without guards and safety

Tool Installation

Pressure regulators shall be used to limit air pressure to the rated pressure where the supply pressure exceeds the tool's rated pressure. Air hoses and lines shall be relieved of compressed air before being disconnected or disjoined, unless there is automatic valve closing protection at the joint being separated. Synthetic lubricants which can cause deterioration of elastomer seals shall not be used in air systems of air tools.

Tool Maintenance

It shall be the tool owner's and/or employer's responsibility to assure that tools are maintained in a safe operating condition. Tool maintenance and repair shall be performed by authorized, trained, competent personnel. Tools shall be disconnected from their compressed air supply before repairs are attempted. Repairs shall be consistent with the manufacturer's recommended procedures. Tool, hoses and fittings shall be replaced if unsuitable for safe operation. It shall be the tool owner's and/or employer's responsibility to keep required rating markings and warnings on the tool in legible condition.

Universal Tool

A Division of Florida Pneumatic Manufacturing Corporation
851 Jupiter Park Lane, Jupiter, Florida 33458
Toll Free 1-800-327-9403

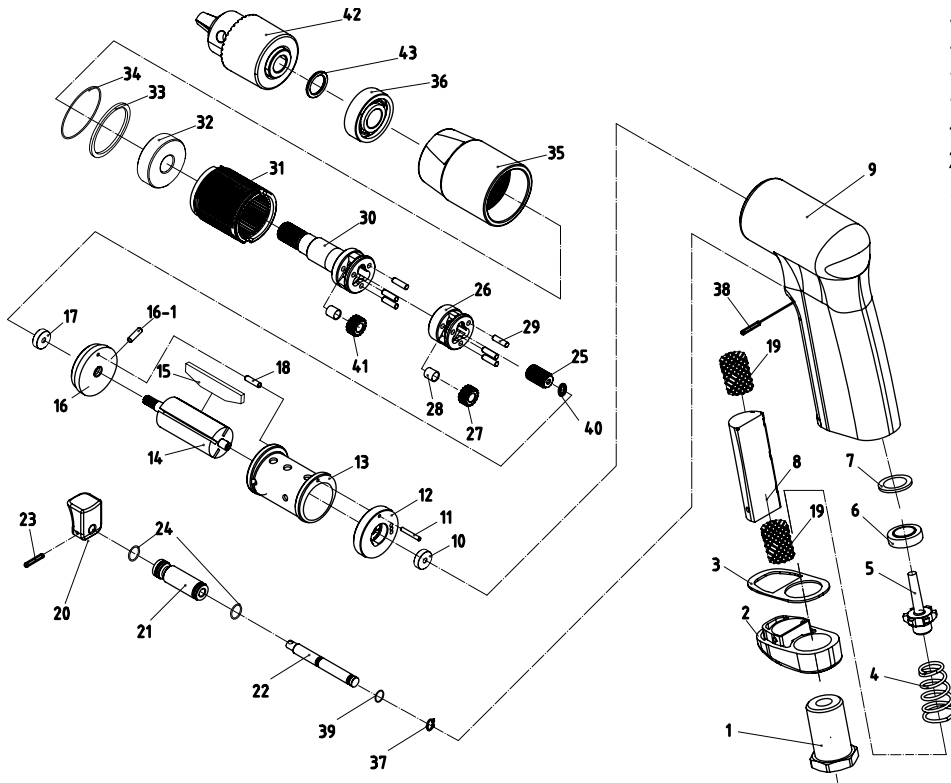
Read these instructions carefully before attempting to install, operate or service this Florida Pneumatic product. Failure to comply with the instructions could result in personal injury and/or property damage! Retain these instructions for future reference.

FPMC

Specifications

Motor (HP)	0.45
Speed (RPM)	1,000
Gear Ratio	20:1
Gear Type	Double Injection
Weight (lbs.)	1.3
Length (in.)	7.5
Side-to-Center	1/2"
Height	5"
Air Inlet	1/4"
Maximum operating pressure	90 PSI

REF#	PART NO.	DESCRIPTION	PCS	REF#	PART NO.	DESCRIPTION	PCS
1	9633801MT	Air Inlet	1	23	9589039	Pin	1
2	9389202	Deflector	1	24	9OR0715	O-Ring	2
3	9389203	Gasket	1	25	9389225-1	Sun Gear	1
4	9389503	Spring	1	26	9389226-1	Planet Shaft	1
5	9328804V	Valve	1	27	9389227-10	Gear	3
6	9328835	Valve Seat	1	28	9389228	Needle Bearing	6
7	9328825S	Spacer	1	29	9389229	Pin	6
8	9612812	Silencer	1	30	9389230-1	Planet Shaft	1
9	9389209	Housing	1	31	9389231	Ring Gear	1
10	9B694Z	Ball Bearing	1	32	9B6901	Ball Bearing	1
11	9P0288	Pin	1	33	9389233	Washer	1
12	9389212	Rear Plate	1	34	9OR2002	O-Ring	1
13	9389213	Cylinder	1	35	9389235	Front Housing	1
14	9389214-9	Rotor	1	36	9633838	Ball Bearing	1
15	9389215	Rotor Blade	4	37	9389513-2	Retainer	1
16	9389216	Front Plate	1	38	9389238	Pin	1
16-1	9633842	Pin	1	39	9638013	O-Ring	1
17	9B695Z	Ball Bearing	1	40	9CTW25	CTW25	1
18	9389218	Pin	1	41	9389241	Gear	3
19	9389507	Silencer	2	42	5927	Chuck and Key	1
20	9389220	Trigger	1	43	9389243	Washer	1
21	9389221	Valve Bushing	1				
22	9389222	Valve Stem	1				


Limited Warranty

Universal Tool warrants its tools to be free from defects in material and workmanship for one year from the date of purchase. This warranty does not apply to tools which have been abused, misused, modified or repaired by someone other than Universal Tool or its authorized service centers. If a Universal Tool proves defective in material of workmanship within one year after purchase, return it to any authorized service center or to Universal Tool, freight prepaid. Please enclose your name, address and adequate proof of purchase date with a brief description of the defect. Universal Tool will, at its option, repair or replace defective tools, free of charge. Repairs or replacements are warranted as described above for the remainder of the warranty period. Universal Tool's sole liability and your exclusive remedy under this warranty is limited to repair or replacement of the defective tool. There are no other warranties expressed or implied and Universal Tool shall not be liable for incidental, consequential or special damages, or any other damages, costs or expense of repair or replacement as described above.