



Universal Tool

UT8798

Palm Sander



Universal Tool

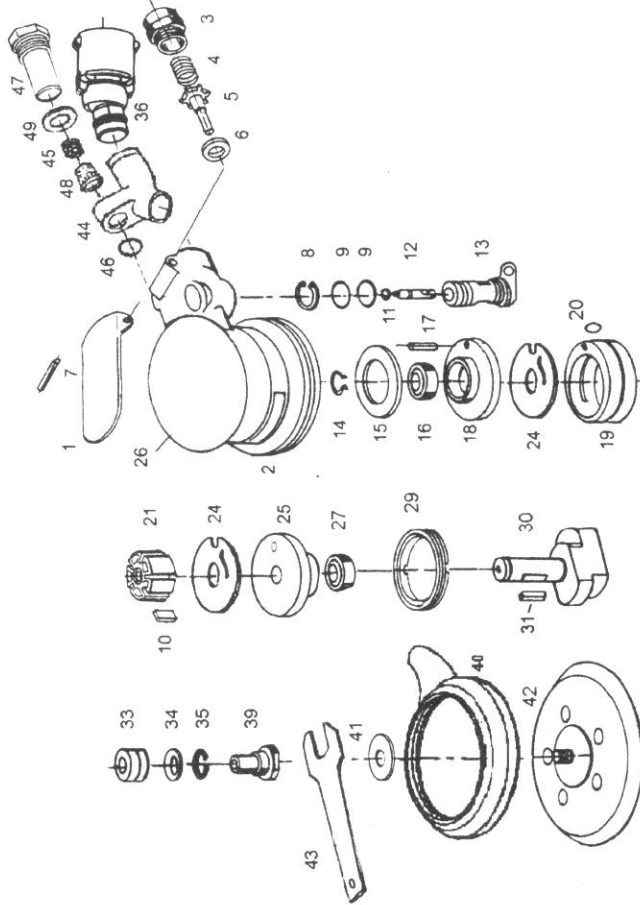
UT8798

Palm Sander

- Motor.....5
- Pad Size.....5" & 6"
- Free speed.....12,000 RPM
- Weight.....1.7 lbs.
- Height.....3-1/2"
- Rec. Pressure.....90 psi
- Recommended hose size.....3/8" I.D.
- Air inlet.....1/4" NPT
- Avg. Air Consp.....16 CFM

Parts Breakdown for UT8798

Note: always use accessories with an RPM rating that meets or exceeds the tool RPM rating. Always examine accessories before mounting for chips, cracks, or signs of damage. Never use mounted points or other accessories that have been dropped or exposed to; water, solvent, or extreme temperature changes. It is a good practice to operate the tool in a protected enclosure for one minute after mounting any accessory.



Ref. No.	Part No.	Description	Ref. No.	Part No.	Description
1	975027A	Lever	29	956026	Lock Ring
2	956001	Housing	30	9560185	Shaft Balance (5" Pad)
3	957009	Air Inlet (1/4" PT)		9560186	Shaft Balance (6" Pad)
4	957009C	Air Inlet (1/4" NPT)	31	956031	Key
5	957014	Spring	33	9B6001LU	Bearing (2)
6	9570070	Tip Valve	34	956014	Washer
7	975040	Washer	35	956028	Snap Ring
8	957037	Pin	36	956020V	Universal Joint
9	9570C11	Snap Ring	39	956019	Balance Shaft
10	956015F	Blade (5)	40	956061	Shroud
11	920413	O-Ring	41	970588	Washer
12	956005	Valve Stem	44	970573S	Adapter Exhaust
13	957003	Regulator	45	970545	Muffler
14	9560C10	Snap Ring	46	925022	O-Ring Seal
15	956049	Washer	47	957058V	Muffler-Exhaust
16	9B6000ZZ	Bearing	48	957048	Muffler-Bushing
17	9PN3X30	Pin	49	9570121	Washer
18	956017	Front Plate	** Accessory		
19	956016F	Cylinder	43	956024	Wrench
20	9F5X19	O-Ring	** Optional accessories		
21	956006F	Rotor	42	95A5C	5" F.R.P 5Hole Hook Face Pad
24	956048	Shim (2)		95P5C	5" F.R.P 6Hole Hook Face Pad
25	956018	Rear Plate		95A6C	5" F.R.P 6Hole Hook Face Pad
26	956021	Rubber Cover		95P6C	5" F.R.P 6Hole Vinyl Face Pad
	956021L	Rubber Cover (large)		96A6C	6" F.R.P 6Hole Hook Face Pad
27	935069	Ball Bearing		96P6C	6" F.R.P 6Hole Vinyl Face Pad

Limited Warranty

Universal Tool warrants its tools to be free from defects in material and workmanship for one year from the date of purchase. This warranty does not apply to tools which have been abused, misused, modified or repaired by someone other than Universal Tool or its authorized service centers. If a Universal Tool proves defective in material of workmanship within one year after purchase, return it to any authorized service center or to Universal Tool, freight prepaid. Please enclose your name, address and adequate proof of purchase date with a brief description of the defect. Universal Tool will, at its option, repair or replace defective tools, free of charge. Repairs or replacements are warranted as described above for the remainder of the warranty period. Universal Tool's sole liability and your exclusive remedy under this warranty is limited to repair or replacement of the defective tool. There are no other warranties expressed or implied and Universal Tool shall not be liable for incidental, consequential or special damages, or any other damages, costs or expense of repair or replacement as described above.



PLEASE READ AND FOLLOW ALL WARNINGS



Universal Tool

UT8798
Palm Sander

Read Operating Instructions

Always become familiar with all the instructions and warnings before operating any power tool.

Always Wear Approved Eye Protection

Impact resistant eye protection should meet or exceed the standards as set forth in the United States ANSI Z87.1, Occupational and Educational Eye and Face Protection. Look for the marking Z87.1 on your eye protection to insure that it is an approved style. For further information, ANSI Z87.1, Occupational and Educational Eye and Face Protection, is available from the American National Standards Institute, Inc., 11 West 42nd Street, New York, NY 10036.



Hearing Protection is Recommended

Hearing protection should be used when the noise level exposure equals or exceeds an 8 hour time-weighted average sound level of 85 dBA. Process noise, reflective surfaces, other tools being operated nearby, all add to the noise level present in your work area. If you are unable to determine your noise level exposure, we recommend the use of hearing protection.



Avoid Prolonged Exposure to Vibration

Tools can vibrate during use. Prolonged exposure to vibration or very repetitive hand and arm movements, can cause injury. Stop using any tool if discomfort, tingling feeling or pain occurs. You should consult your physician before resuming use of the tool.



90 PSIG Maximum

This tool is designed to operate at



Description

Universal Tool Palm Sander features a 0.35 HP Motor which provides power to match the job; Built-in regulator for positive control; Ergonomically advanced composite housing design reduces fatigue; Choices of orbit and pad sizes to match the job; • Built-in silencing system for noise control; Complete with vacuum shroud for dust free hook-up and a heavy duty sealed bearings for durability Best for refinishing applications on wood, metal, painted and composite materials

devices as furnished by the manufacturer. Where an air tool is modified or altered, the modifier shall provide the safeguards to enable it to be safely used in the operations intended and to comply with any applicable provisions as contained in ANSI B186.1.



Safety Instructions

The following instructions are furnished as general guidelines for use of your pneumatic tool. They cannot comprehensively cover all possible or conceivable uses of the subject tool. For additional information on the safe use of air tools, we advise you to obtain a copy of ANSI B186.1 Safety Code for Portable Air Tools, available from the following source:

American National Standards Institute, Inc.
11 West 42nd Street
New York, NY 10036.

The use of the word "shall" in the following instructions, indicates that adherence to the particular requirement is necessary to conform to ANSI B186.1.

Tool Application and Usage

Portable tools shall be used only for the purposes intended in their design and within the capacity for which they were intended and rated. It shall be the tool owner's and/or employer's responsibility to instruct each operator in the safe use of the tool. Tools shall not be used without guards and safety

Tool Installation

Pressure regulators shall be used to limit air pressure to the rated pressure where the supply pressure exceeds the tools rated pressure. Air hoses and lines shall be relieved of compressed air before being disconnected or disjoined, unless there is automatic valve closing protection at the joint being separated. Synthetic lubricants which can cause deterioration of elastomer seals shall not be used in air systems of air tools.

Tool Maintenance

It shall be the tool owner's and/or employer's responsibility to assure that tools are maintained in a safe operating condition. Tool maintenance and repair shall be performed by authorized, trained, competent personnel. Tools shall be disconnected from their compressed air supply before repairs are attempted. Repairs shall be consistent with the manufacturer's recommended procedures. Tool, hoses and fittings shall be replaced if unsuitable for safe operation. It shall be the tool owner's and/or employer's responsibility to keep required rating markings and warnings on the tool in legible condition.

Read these instructions carefully before attempting to install, operate or service this Universal Tool product. Failure to comply with the instructions could result in personal injury and/or property damage! Retain these instructions for future reference.

Universal Tool Manufacturing Corporation
851 Jupiter Park Lane, Jupiter, Florida 33458
Toll Free 1-800-327-9403

FPMC