



Universal Tool

UT8797-325  
UT8797-326  
Palm Sander



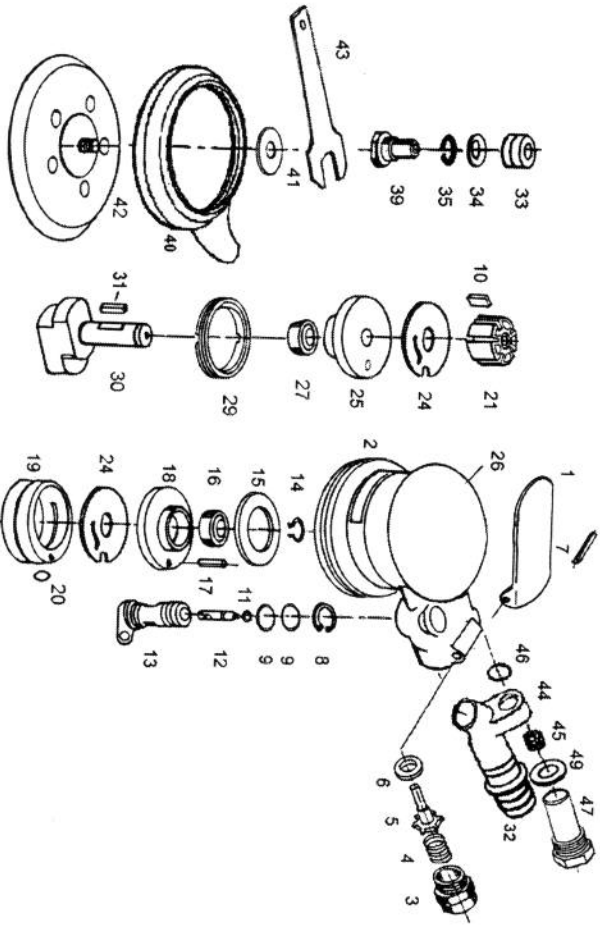
Universal Tool

UT8797-325  
UT8797-326  
Palm Sander

Motor..... 0.25  
 Pad Size..... 5" & 6"  
 Free speed..... 12,000 RPM  
 Weight..... 1.7 lbs.  
 Height..... 3-1/2"  
 Rec. Pressure..... 90 psi  
 Recommended hose size..... 3/8" I.D.  
 Air Inlet..... 1/4" NPT  
 Avg. Air Cons. .... 16 SCFM

**Parts Breakdown for UT8797-325 UT8797-326**

**Note:** Always use accessories with an RPM rating that meets or exceeds the tool RPM rating. Always examine accessories before mounting for chips, cracks, or signs of damage. Never use mounted points or other accessories that have been dropped or exposed to water, solvent, or extreme temperature changes. It is a good practice to operate the tool in a protected enclosure for one minute after mounting any accessory.



Ref. No.	Part No.	Description	Ref. No.	Part No.	Description
1	975027A	Lever	29	956026	Lock Ring
2	956001	Housing	30	9560185A	Shaft Balance (5" Pad)
3	957009	Air Inlet (1/4" PT)		9560186A	Shaft Balance (6" Pad)
4	957009C	Air Inlet (1/4" NPT)	31	956031	Key
5	957014	Spring	32	970559	Nozzle
6	9570070	Tip Valve	33	9B6001LU	Bearing (2)
7	957037	Washer	34	956014	Washer
8	95700C11	Snap Ring	35	956028	Snap Ring
9	9B9X19	O-Ring (2)	39	956019	Balance Shaft
10	956015F	Blade (5)	40	956061	Shroud
11	920413	O-Ring	41	970598	Washer
12	956005	Valve Stem	44	970573V	Adapter Exhaust
13	957003	Regulator	45	970545	Muffler
14	9560C10	Snap Ring	46	925022	Muffler Seal
15	956049	Washer	47	957058V	Muffler-Exhaust
16	9B6000Z2	Bearing	49	9570121	Washer
17	9PN3X30	Pin	** Accessory		
18	956017	Front Plate	43	956024	Wrench
19	956016F	Cylinder		** Optional accessories	
20	9R5X19	O-Ring	42	95A6C	5" F. R. P. 6Hole Hook Face Pad
21	956006F	Rotor		96A6C	6" F. R. P. 6Hole Hook Face Pad
22	956048	Shim (2)		96P6C	5" F. R. P. 6Hole Vnyl Face Pad
23	956018	Rear Plate		96P6C	6" F. R. P. 6Hole Vnyl Face Pad
24	956021	Rubber Cover		96P6C	6" F. R. P. 6Hole Vnyl Face Pad
25					
26					
27					
28					
29					
30					
31					
32					
33					
34					
35					
36					
37					
38					
39					
40					
41					
42					
43					

**Limited Warranty**

Universal Tool warrants its tools to be free from defects in material and workmanship for one year from the date of purchase. This warranty does not apply to tools which have been abused, misused, modified or repaired by someone other than Universal Tool or its authorized service centers. If a Universal Tool proves defective in material of workmanship within one year after purchase, return it to any authorized service center or to Universal Tool, freight prepaid. Please enclose your name, address and adequate proof of purchase date with a brief description of the defect. Universal Tool will, at its option, repair or replace defective tools, free of charge. Repairs or replacements are warranted as described above for the remainder of the warranty period. Universal Tool's sole liability and your exclusive remedy under this warranty is limited to repair or replacement of the defective tool. There are no other warranties expressed or implied and Universal Tool shall not be liable for incidental, consequential or special damages, or any other damages, costs or expense of repair or replacement as described above.

