

PLEASE READ AND FOLLOW ALL WARNINGS



UT8756/UT8757

7" ANGLE SANDER/7" ANGLE GRINDER

Read Operating Instructions

Always become familiar with all the instructions and warnings before operating any power tool.

Always Wear Approved Eye Protection

Impact resistant eye protection should meet or exceed the standards as set forth in the United States ANSI Z87.1, Occupational and Educational Eye and Face Protection. Look for the marking Z87.1 on your eye protection to insure that it is an approved style. For further information, ANSI Z87.1, Occupational and Educational Eye and Face Protection, is available from the American National Standards Institute, Inc., 11 West 42nd Street, New York, NY 10036.

Hearing Protection is Recommended

Hearing protection should be used when the noise level exposure equals or exceeds an 8 hour time-weighted average sound level of 85 dBA. Process noise, reflective surfaces, other tools being operated nearby, all add to the noise level present in your work area. If you are unable to determine your noise level exposure, we recommend the use of hearing protection.

Avoid Prolonged Exposure to Vibration

Tools can vibrate during use. Prolonged exposure to vibration or very repetitive hand and arm movements, can cause injury. Stop using any tool if discomfort, tingling feeling or pain occurs. You should consult your physician before resuming use of the tool.

90 PSIG Maximum

This tool is designed to operate at

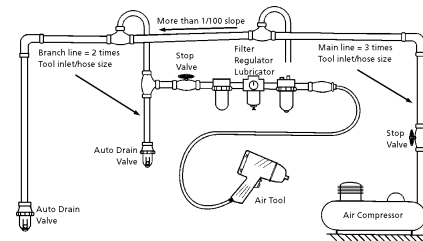
an air pressure of 90 pounds per square inch gauge pressure (90 PSIG) maximum, at the tool. Use of higher air pressure can, and may cause injury. Also, the use of higher air pressure places the internal components under loads and stresses they were not designed for, causing premature failure. The air supply should be clean and dry, preferably lubricated. For best results, drain the moisture from your compressor daily.

WARNING:

Some dust created by power sanding, sawing, grinding, drilling, and other construction activities contains chemicals known to cause cancer, birth defects or reproductive harm. Some examples of these chemicals are:

- Lead from lead-based paints
- Crystalline silica from bricks, cement and other masonry products
- Arsenic and chromium from chemically treated lumber

Your risk from these exposures varies, depending on how often you do this type of work. To reduce your exposure to these chemicals, work in a well-ventilated area and work with approved safety equipment such as those dust masks that are specially designed to filter out microscopic particles.



Description

Universal Tool 7" angle sander/grinder has a powerful 1 horsepower motor and is ideal for all sanding/grinder applications. Includes a side handle for increased operator control and rear exhaust.



Safety Instructions

The following instructions are furnished as general guidelines for use of your pneumatic tool. They cannot comprehensively cover all possible or conceivable uses of the subject tool. For additional information on the safe use of air tools, we advise you to obtain a copy of ANSI B186.1 Safety Code for Portable Air Tools, available from the following source:

American National Standards Institute, Inc.
11 West 42nd Street
New York, NY 10036.

The use of the word "shall" in the following instructions, indicates that adherence to the particular requirement is necessary to conform to ANSI B186.1.

Tool Application and Usage

Portable tools shall be used only for the purposes intended in their design and within the capacity for which they were intended and rated. It shall be the tool owner's and/or employer's responsibility to instruct each operator in the safe use of the tool. Tools shall not be used without guards and safety

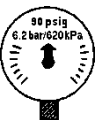
devices as furnished by the manufacturer. Where an air tool is modified or altered, the modifier shall provide the safeguards to enable it to be safely used in the operations intended and to comply with any applicable provisions as contained in ANSI B186.1.

Tool Installation

Pressure regulators shall be used to limit air pressure to the rated pressure where the supply pressure exceeds the tool's rated pressure. Air hoses and lines shall be relieved of compressed air before being disconnected or disjoined, unless there is automatic valve closing protection at the joint being separated. Synthetic lubricants which can cause deterioration of elastomer seals shall not be used in air systems of air tools.

Tool Maintenance

It shall be the tool owner's and/or employer's responsibility to assure that tools are maintained in a safe operating condition. Tool maintenance and repair shall be performed by authorized, trained, competent personnel. Tools shall be disconnected from their compressed air supply before repairs are attempted. Repairs shall be consistent with the manufacturer's recommended procedures. Tool, hoses and fittings shall be replaced if unsuitable for safe operation. It shall be the tool owner's and/or employer's responsibility to keep required rating markings and warnings on the tool in legible condition.



Universal Tool

A Division of Florida Pneumatic Manufacturing Corporation
851 Jupiter Park Lane, Jupiter, Florida 33458
Toll Free 1-800-327-9403

Read these instructions carefully before attempting to install, operate or service this Florida Pneumatic product. Failure to comply with the instructions could result in personal injury and/or property damage! Retain these instructions for future reference.

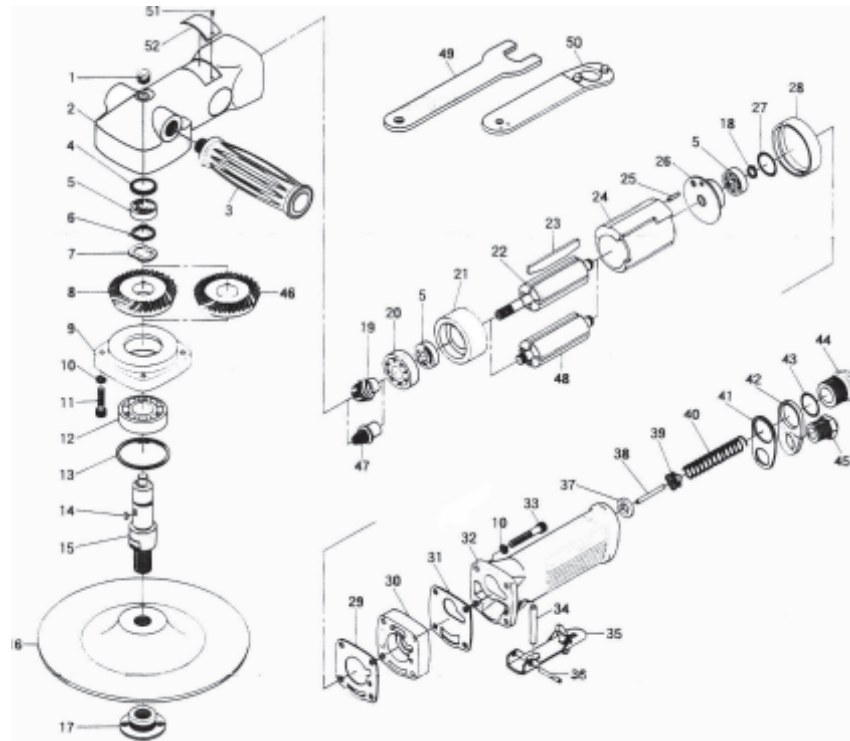
FPMC

PL0233

Specifications

Pad size.....	7"
Polishing bonnet.....	7 1/2"
Spindle size.....	.5/8"-11
Free speed (sander).....	4,500 RPM
Free speed (polisher).....	3,000 RPM
Weight.....	5 1/8 lbs.
Length.....	12 3/4"
Average air consumption.....	.16 CFM
Recommended hose size.....	3/8" I.D.
Air inlet.....	1/4" NPT
Maximum air pressure.....	.90 psi

Parts Breakdown for UT8756/UT8757



Replacement Parts for UT8756/UT8757

Ref.	Description	Part #	Ref.	Description	Part #
1	Plug	8731952	29	Motor gasket	8900964
2	Motor housing	8900963	30	Spacer	8900965
3	Side handle	8729284	31	Valve body gasket	8900966
4	Spacer	8730091	32	Valve housing	8900967
5	Ball bearing (3)	8729188	33	Cap screw (4)	8900971
6	Retaining ring	8730092	34	Valve pin	8900968
7	Wave washer	8730093	35	Throttle locking lever	8900382
8	Bevel gear (sander)	8730094	36	Roll pin	8729167
9	Housing cap	8730098	37	Valve seat	8900955
10	Washer (8)	8729035	38	Valve pin	8900956
11	Screw (4)	8729989	39	Valve	8900957
12	Ball bearing	81005471	40	Valve spring	8900969
13	Retaining ring	8730100	41	Exhaust gasket	8900972
14	Woodruff key	8729272	42	Exhaust retainer	8900973
15	Spindle	8730095	43	O-Ring	8900959
16	Plate/hub combo	8731247	44	Inlet bushing	8900961
17	Knurled pad nut	8731075	45	Exhaust bushing	8900974
18	Retaining ring	8729225	46	Bevel gear (grinder)	8731060
19	Pinion gear (sander)	8730089	47	Pinion gear (grinder)	8900002
20	Ball bearing	81005478	48	Rotor (grinder)	8900000
21	Front end plate	8900001	49	Spanner wrench	8731788
22	Rotor (sander)	8729268	50	Disc spanner	8900762
23	Rotor blade (4)	8729230	51	Name plate screw (2)	8729343
24	Cylinder	8729229	52	Name plate	N/A
25	Roll pin	8732389	Δ	Sander guard (optional)	UTA86155
26	Rear end plate	8729231	Δ	Bonnet	5422
27	O-ring	8900970	(Δ)	Not shown	
28	Housing band	8900003			

Limited Warranty

Universal Tool warrants its tools to be free from defects in material and workmanship for one year from the date of purchase. This warranty does not apply to tools which have been abused, misused, modified or repaired by someone other than Universal Tool or its authorized service centers. If a Universal Tool proves defective in material of workmanship within one year after purchase, return it to any authorized service center or to Universal Tool, freight prepaid. Please enclose your name, address and adequate proof of purchase date with a brief description of the defect. Universal Tool will, at its option, repair or replace defective tools, free of charge. Repairs or replacements are warranted as described above for the remainder of the warranty period. Universal Tool's sole liability and your exclusive remedy under this warranty is limited to repair or replacement of the defective tool. There are no other warranties expressed or implied and Universal Tool shall not be liable for incidental, consequential or special damages, or any other damages, costs or expense of repair or replacement as described above.