

# PLEASE READ AND FOLLOW ALL WARNINGS



UT8748-4  
4" ANGLE GRINDER

## Read Operating Instructions

Always become familiar with all the instructions and warnings before operating any power tool.

## Always Wear Approved Eye Protection

Impact resistant eye protection should meet or exceed the standards as set forth in the United States ANSI Z87.1, Occupational and Educational Eye and Face Protection. Look for the marking Z87.1 on your eye protection to insure that it is an approved style. For further information, ANSI Z87.1, Occupational and Educational Eye and Face Protection, is available from the American National Standards Institute, Inc., 11 West 42nd Street, New York, NY 10036.

## Hearing Protection is Recommended

Hearing protection should be used when the noise level exposure equals or exceeds an 8 hour time-weighted average sound level of 85 dBA. Process noise, reflective surfaces, other tools being operated nearby, all add to the noise level present in your work area. If you are unable to determine your noise level exposure, we recommend the use of hearing protection.

## Avoid Prolonged Exposure to Vibration

Tools can vibrate during use. Prolonged exposure to vibration or very repetitive hand and arm movements, can cause injury. Stop using any tool if discomfort, tingling feeling or pain occurs. You should consult your physician before resuming use of the tool.

## 90 PSIG Maximum

This tool is designed to operate at

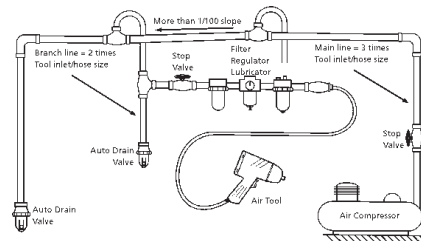
an air pressure of 90 pounds per square inch gauge pressure (90 PSIG) maximum, at the tool. Use of higher air pressure can, and may cause injury. Also, the use of higher air pressure places the internal components under loads and stresses they were not designed for, causing premature failure. The air supply should be clean and dry, preferably lubricated. For best results, drain the moisture from your compressor daily.

## WARNING:

Some dust created by power sanding, sawing, grinding, drilling, and other construction activities contains chemicals known to cause cancer, birth defects or reproductive harm. Some examples of these chemicals are:

- Lead from lead-based paints
- Crystalline silica from bricks, cement and other masonry products
- Arsenic and chromium from chemically treated lumber

Your risk from these exposures varies, depending on how often you do this type of work. To reduce your exposure to these chemicals, work in a well-ventilated area and work with approved safety equipment such as those dust masks that are specially designed to filter out microscopic particles.



## Description

Universal Tool 4" angle sander/grinder has a powerful 1 horsepower motor and is ideal for all sanding/grinder applications. Includes a side handle for increased operator control and rear exhaust.



## Safety Instructions

The following instructions are furnished as general guidelines for use of your pneumatic tool. They cannot comprehensively cover all possible or conceivable uses of the subject tool. For additional information on the safe use of air tools, we advise you to obtain a copy of CAGI B186.1-2009 Safety Code for Portable Air Tools, available from the following source: COMPRESSED AIR AND GAS INSTITUTE 1300 Sumner Avenue Cleveland, OH 44115-2851 Ph: 216-241-7333 www.cagi.org OR from Florida Pneumatic Manufacturing Corp. 851 Jupiter Park Lane Jupiter, FL 33458 561-744-9500 www.florida-pneumatic.com The use of the word "shall" in the following instructions, indicates that adherence to the particular requirement is necessary to conform to CAGI B186.1-2009.

## Tool Application and Usage

Portable tools shall be used only for the purposes intended in their design and within the capacity for which they were intended and rated. It shall be the tool owner's and/or employer's responsibility to instruct each operator in the safe use of the tool. Tools shall not be used without guards and safety

devices as furnished by the manufacturer. Where an air tool is modified or altered, the modifier shall provide the safeguards to enable it to be safely used in the operations intended and to comply with any applicable provisions as contained in CAGI B186.1-2009.

## Tool Installation

Pressure regulators shall be used to limit air pressure to the rated pressure where the supply pressure exceeds the tool's rated pressure. Air hoses and lines shall be relieved of compressed air before being disconnected or disjoined, unless there is automatic valve closing protection at the joint being separated. Synthetic lubricants which can cause deterioration of elastomer seals shall not be used in air systems of air tools.

## Tool Maintenance

It shall be the tool owner's and/or employer's responsibility to assure that tools are maintained in a safe operating condition. Tool maintenance and repair shall be performed by authorized, trained, competent personnel. Tools shall be disconnected from their compressed air supply before repairs are attempted. Repairs shall be consistent with the manufacturer's recommended procedures. Tool, hoses and fittings shall be replaced if unsuitable for safe operation. It shall be the tool owner's and/or employer's responsibility to keep required rating markings and warnings on the tool in legible condition.

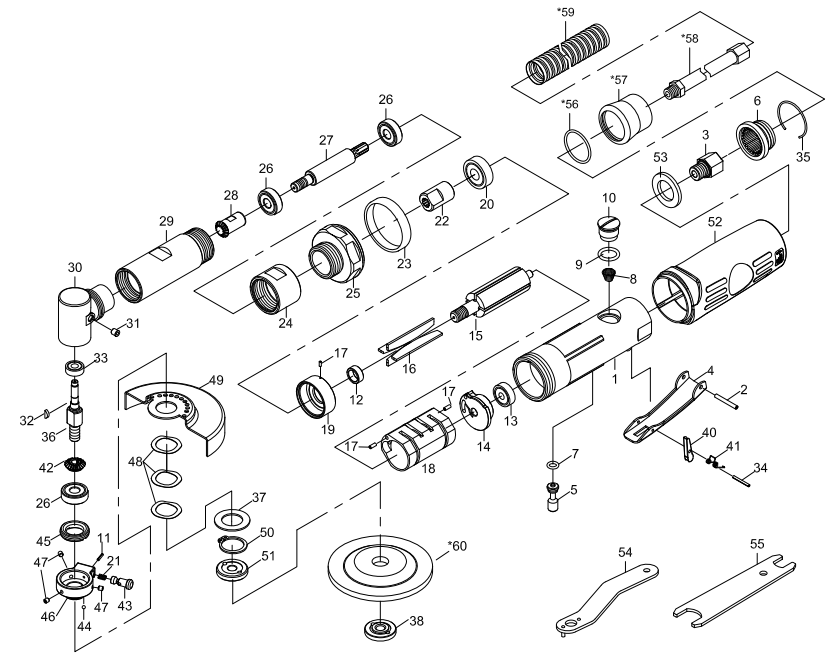
*Read these instructions carefully before attempting to install, operate or service this Florida Pneumatic product. Failure to comply with the instructions could result in personal injury and/or property damage! Retain these instructions for future reference.*

Universal Tool a Division of Florida Pneumatic Manufacturing Corporation  
851 Jupiter Park Lane, Jupiter, Florida 33458  
Toll Free 1-800-327-9403

FPMC

## Specifications

Max Wheel Size .....	4" Type 27
Motor HP .....	1.0 HP
Spindle 3/8"-24 .....	3/8"-24
Free Speed RPM .....	14,000
Weight .....	3.2 lbs
Length .....	12"
Avg. Air Cons. ....	5 CFM
Air Inlet .....	1/4" NPT
Rec Hose .....	1/2"



## Limited Warranty

Universal Tool warrants its tools to be free from defects in material and workmanship for one year from the date of purchase. This warranty does not apply to tools which have been abused, misused, modified or repaired by someone other than Universal Tool or its authorized service centers. If a Universal Tool proves defective in material or workmanship within one year after purchase, return it to any authorized service center or to Universal Tool, freight prepaid. Please enclose your name, address and adequate proof of purchase date with a brief description of the defect. Universal Tool will, at its option, repair or replace defective tools, free of charge. Repairs or replacements are warranted as described above for the remainder of the warranty period. Universal Tool's sole liability and your exclusive remedy under this warranty is limited to repair or replacement of the defective tool. There are no other warranties expressed or implied and Universal Tool shall not be liable for incidental, consequential or special damages, or any other damages, costs or expense of repair or replacement as described above.

Index No.	Parts No.	Description	Index No.	Parts No.	Description
1	95K-3051B01	Motor Housing	31	956237	Oil Cap
2	930102	Spring Pin	32	952232	Key
3	951203	Air Inlet	33	9052213	Ball Bearing
4	96K-301104	Throttle Lever	34	951542	Spring Pin
5	96K-301105	Valve Shaft	35	951229	Retainer Ring
6	951206	Exhaust Diffuser	36	95B-3011B28	Spindle
7	970107	O-Ring	37	95K-3011B31	Washer
8	951208	Valve Spring	38	961940	Flange nut
9	970123	O-Ring	40	9522239	Safety Bar
10	951-3011A10	Plug	41	9522212	Spring
11	972902	Spring Pin	42	95L-3011B23	Bevel Gear
12	95K-3011B11	Rotor Bushing	43	95K-3011B24	Stop Button
13	9030113	Ball Bearing	44	95K-3011B25	Steel Ball
14	95K-3011B14	Rear End Plate	45	952231	Clamp Nut
15	95K-3011B15	Rotor	46	95K-3011B30	Cover Seat
16	95K-3011B16	Rotor Blade (4)	47	95G-619737	Set Screw(3)
17	972017	Spring Pin(3)	48	9WW20	Wave Washer(3)
18	95K-3011B18	Cylinder	49	95B-3011B34	Disc Cover
19	95K-3011B19	Front End Plate	50	95TW20	Retainer Ring
20	9051220	Ball Bearing	51	961938	Flange
21	95K-3011B08	Spring	52	9512253	Rubber Grp
22	95K-3011B37	Connector	53	951250	Muffler
23	95K-3011B12	Decoration Ring	54	961954	Pin Wrench (For 4")
24	95K-3011B20	Connector Nut	55	952227	Spanner
25	95K-3011B35	Clamp Nut	*56	970144	O-Ring
26	9030120	Ball Bearing(3)	*57	970143	Clamp
27	95K-3011B38	Roller Shaft	*58	951239	Hose
28	95L-3011B22	Bevel Gear	*59	952238-1	Exhaust Hose
29	95K-3011B29	Connector Pipe	*60	8732376	Grinding Wheel (4")
30	956228	Head			

\*Optional part