

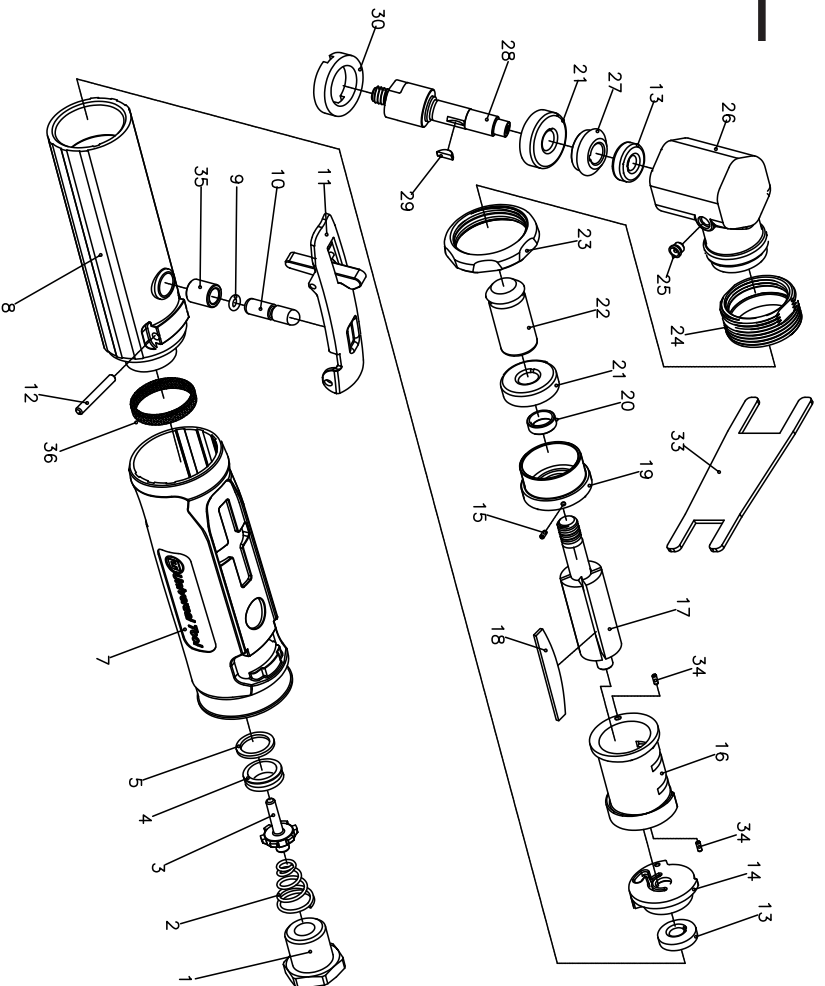


Universal Tool

Ref#	Part #	Description	Qty
1	9872401	AIR INLET	1
2	9872402	VALVE SPRING	1
3	9872422	VALVE STEM	1
4	9872423	VALVE SEAT	1
5	9872403	VALVE WASHER	1
7	9872420	CUSHION GRIP W/DEFLECTOR	1
8	9872404	INNER MOTOR HOUSING	1
9	90R2512	O-RING	1
10	9872405	VALVE STEM	1
11	9872802B	THROTTLE LEVER ASSEMBLY	1
12	9308003	THROTTLE LEVER PIN	1
13	9B696ZZ	BALL BEARING	2
14	9872406	REAR PLATE	1
15	9389218	SPRING PIN	1
16	9872407	CYLINDER	1
17	9872408	ROTOR	1
18	9389215	ROTOR BLADE	4
19	9872414	FRONT PLATE	1
20	9872413	SPACER	1
21	9B608ZZ	BALL BEARING	2
22	9872417	GEAR SET (16T)	1
23	9872416	FRONT NUT	1
24	9872415	CLAMP NUT	1
25	9638047	GREASE FITTING	1
26	9872424	ANGLE HEAD	1
27	9872418	GEAR SET (18T)	1
28	9872419	SPINDLE	1
29	9872439	WOODRUFF KEY	1
30	9872426	BEARING RETAINER	1
33	9872429	COLLET WRENCH	1
34	9569040	SPRING PIN	2
35	9872430	BUSHING	1
36	9389507	SILENCER	1

Limited Warranty

Universal Tool warrants its tools to be free from defects in material and workmanship for one year from the date of purchase. This warranty does not apply to tools which have been abused, misused, modified or repaired by someone other than Universal Tool or its authorized service centers. If a Universal Tool proves defective in material of workmanship within one year after purchase, return it to any authorized service center or to Universal Tool, freight prepaid. Please enclose your name, address and adequate proof of purchase date with a brief description of the defect. Universal Tool will, at its option, repair or replace defective tools, free of charge. Repairs or replacements are warranted as described above for the remainder of the warranty period. Universal Tool's sole liability and your exclusive remedy under this warranty is limited to repair or replacement of the defective tool. There are no other warranties expressed or implied and Universal Tool shall not be liable for incidental, consequential or special damages, or any other damages, costs or expense of repair or replacement as described above.



Specifications UT8724-20T

- Motor..... 45HP
- Free speed (No load)..... 20,000
- Max. Wheel Dia..... 2"
- Weight..... 1.1lbs.
- Overall length..... 6.5"
- Collet Size..... 1/4"
- Average air consumption..... 4.0CFM
- Recommended hose size..... 3/8" I.D.
- Air inlet..... 1/2" NPT
- Maximum operating pressure..... 90 psi