

PLEASE READ AND FOLLOW ALL WARNINGS

Universal Tool

**UT8721
HD FLAP WHEEL TOOL**

Read Operating Instructions

Always become familiar with all the instructions and warnings before operating any power tool.



Always Wear Approved Eye Protection

Impact resistant eye protection should meet or exceed the standards as set forth in the United States ANSI Z87.1, Occupational and Educational Eye and Face Protection. Look for the marking Z87.1 on your eye protection to insure that it is an approved style. For further information, ANSI Z87.1, Occupational and Educational Eye and Face Protection, is available from the American National Standards Institute, Inc., 11 West 42nd Street, New York, NY 10036.



Hearing Protection is Recommended

Hearing protection should be used when the noise level exposure equals or exceeds an 8 hour time-weighted average sound level of 85 dBA. Process noise, reflective surfaces, other tools being operated nearby, all add to the noise level present in your work area. If you are unable to determine your noise level exposure, we recommend the use of hearing protection.



Avoid Prolonged Exposure to Vibration

Pneumatic tools can vibrate during use. Prolonged exposure to vibration or very repetitive hand and arm movements, can cause injury. Stop using any tool if discomfort, tingling feeling or pain occurs. You should consult your physician before resuming use of the tool.



90 PSIG Maximum

This tool is designed to operate at an air pressure of 90 pounds per square inch gauge pressure (90 PSIG) maximum, at the tool. Use of higher air pressure can, and may cause injury. Also, the use of higher air pressure places the internal components under loads and stresses they were not designed for, causing premature

WARNING

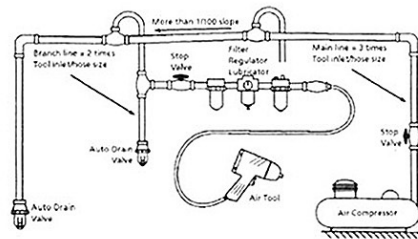
Always use accessories with an RPM rating that meets or exceeds the tool RPM rating.

WARNING:

Some dust created by power sanding, sawing, grinding, drilling, and other construction activities contains chemicals known to cause cancer, birth defects or reproductive harm. Some examples of these chemicals are:

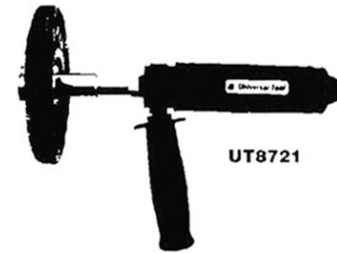
- Lead from lead-based paints
- Crystalline silica from bricks, cement and other masonry products
- Arsenic and chromium from chemically treated lumber

Your risk from these exposures varies, depending on how often you do this type of work. To reduce your exposure to these chemicals, work in a well-ventilated area and work with approved safety equipment such as those dust masks that are specially designed to filter out microscopic particles.



UT8721 Heavy Duty Flap Wheel Tool

- 0.9 HP motor and double reduction gear for ultimate stall resistance
- Safety lock-off throttle
- Rear exhaust and overhose keeps work area clean
- Complete with flap wheel mounting



intended and rated. It shall be the tool owner's and/or employer's responsibility to instruct each operator in the safe use of the tool. Tools shall not be used without guards and safety devices as furnished by the manufacturer. Where an air tool is modified or altered, the modifier shall provide the safeguards to enable it to be safely used in the operations intended and to comply with any applicable provisions as contained in ANSI B186.1.

Tool Installation

Pressure regulators shall be used to limit air pressure to the rated pressure where the supply pressure exceeds the tool's rated pressure. Air hoses and lines shall be relieved of compressed air before being disconnected or disjoined, unless there is automatic valve closing protection at the joint being separated. Synthetic lubricants which can cause deterioration of elastomer seals shall not be used in air systems of air tools.

Tool Maintenance

It shall be the tool owner's and/or employer's responsibility to assure that tools are maintained in a safe operating condition. Tool maintenance and repair shall be performed by authorized, trained, competent personnel. Tools shall be disconnected from their compressed air supply before repairs are attempted. Repairs shall be consistent with the manufacturer's recommended procedures. Tool, hoses and fittings shall be replaced if unsuitable for safe operation. It shall be the tool owner's and/or employer's responsibility to keep required rating markings and warnings on the tool in legible condition.

Safety Instructions

The following instructions are furnished as general guidelines for use of your pneumatic tool. They cannot comprehensively cover all possible or conceivable uses of the subject tool. For additional information on the safe use of air tools, we advise you to obtain a copy of ANSI B186.1 Safety Code for Portable Air Tools, available from the following source:

American National Standards Institute, Inc.
11 West 42nd Street
New York, NY 10036.

The use of the word "shall" in the following instructions, indicates that adherence to the particular requirement is necessary to conform to ANSI B186.1.

Tool Application and Usage

Pneumatic tools shall be used only for the purposes intended in their design and within the capacity for which they were

Universal Tool
A Division of Florida Pneumatic Manufacturing Corporation
851 Jupiter Park Lane, Jupiter, Florida 33458
Toll Free 1-800-327-9403

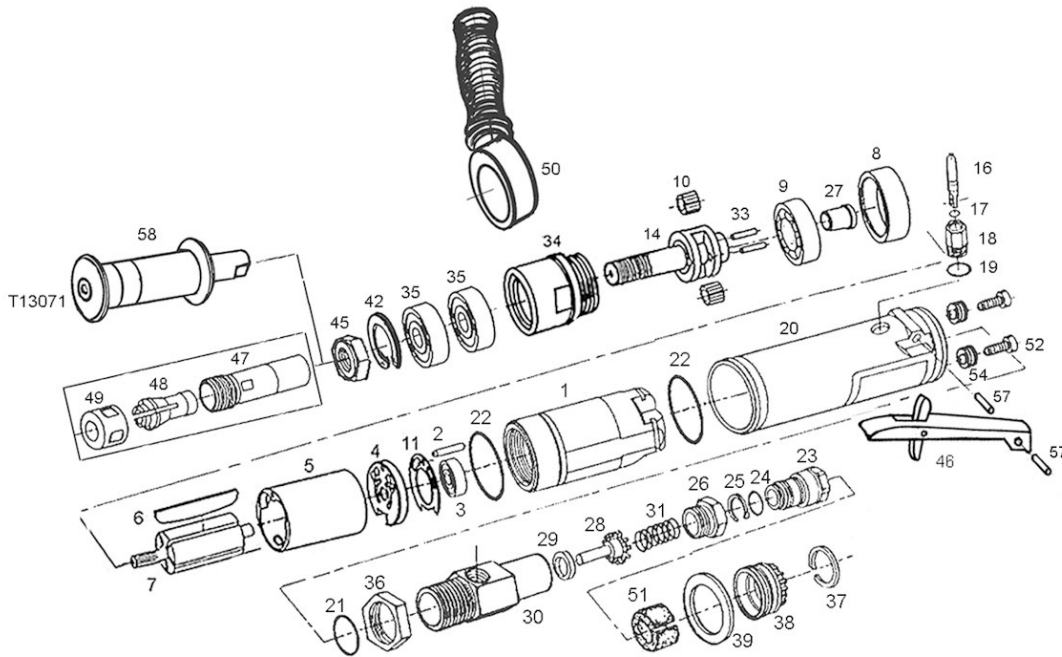
Read these instructions carefully before attempting to install, operate or service this Florida Pneumatic product. Failure to comply with the instructions could result in personal injury and/or property damage! Retain these instructions for future reference.

FPMC

SPECIFICATIONS:

Motor..... 0.9HP
 Collet Size.....1/4" 6MM
 Spindle Thread..... 1/2"-20
 Free Speed 3500RPM
 Weight 0.92KGS 2 LBS
 Length 232MM 9-1/8"

Air Inlet 1/4"
 Hose Size(I.D).... 3/8"
 Air Press. (PSI).... 90
 Avg. Air Consumption..... 5CFM
 Sound Pressure.... 86dBA
 Vibration.... <2.5M/S²



Index NO.	Part NO.	Description
1	9 82001B	Motor Housing
2	9 35013	Pin
3	9 B696ZZ	Ball Bearing
4	9 300114S	Rear Plate
5	9 802109	Cylinder
6	9 300107	Rotor Blade (5)
7	9 360214	Rotor (14T)
8	9 360110A	Front Plate
9	9 B6002	Ball Bearing
10	9 25323	Planet Gear (14T) (2)
11	9 36011S	Motor Gasket
14	9 36014AB	Planet Cage (42-14T)
16	9 80205	Valve Stem
17	9 20413	O-Ring
18	9 80207	Throttle Bushing
19	9 57080	O-Ring
20	9 80203	Sleeve
21	9 R20X12	O-Ring
22	9 P36X2	O-Ring
23	9 80268	Air Inlet Bushing
24	9 R7 5X1.5	O-Ring
25	9 CRS10	Retainer Ring
26	9 76669	Screw Bushing
27	9 362616	Bushing
28	9 570070	Type Valve
29	9 75040	Washer
30	9 80206	Valve Tube
31	9 57014	Spring
33	9 35059	Planet Pin (2)

Index NO.	Part NO.	Description
34	9 36034AB	Clamp Nut (42T)
35	9 B6202Z	Ball Bearing (2)
36	9 802NM22	Nut
37	9 CRH17	Retainer Ring
38	9 6A51	Exhaust Nozzle
39	9 802W30	Washer
42	9 CCRH35	Retainer Ring
45	9 802N127	Nut
46	9 802210	Safety Lever
51	9 70545	Muffler
52	9 HSM4X10	Screw (2)
54	9 80245	Rubber Washer (2)
57	9 SP3X10	Pin (2)
Collet Ass'y		
47	9 80254	Grinder Tube (1/2)
48	9 6A14N	Collet (1/4")
49	9 80251	Collet Nut
Accessories		
*	9 381K31	Wrench (19X14)
*	9 WR1719	Wrench
50	93603510	Handle Ass'y Content :
		Ring
		Rubber Washer (2)
		Hand Grip
Optional Accessories		
58	9 T13071	Sanding Arbors (1/2"-20)

* * * Not Shown

Limited Warranty

Universal Tool warrants its tools to be free from defects in material and workmanship for one year from the date of purchase. This warranty does not apply to tools which have been abused, misused, modified or repaired by someone other than Universal Tool or its authorized service centers. If a Universal Tool proves defective in material or workmanship within one year after purchase, return it to any authorized service center or to Universal Tool, freight prepaid. Please enclose your name, address and adequate proof of purchase date with a brief description of the defect. Universal Tool will, at its option, repair or replace defective tools, free of charge. Repairs or replacements are warranted as described above for the remainder of the warranty period. Universal Tool's sole liability and your exclusive remedy under this warranty is limited to repair or replacement of the defective tool. There are no other warranties expressed or implied and Universal Tool shall not be liable for incidental, consequential or special damages, or any other damages, costs or expense of repair or replacement as described above.