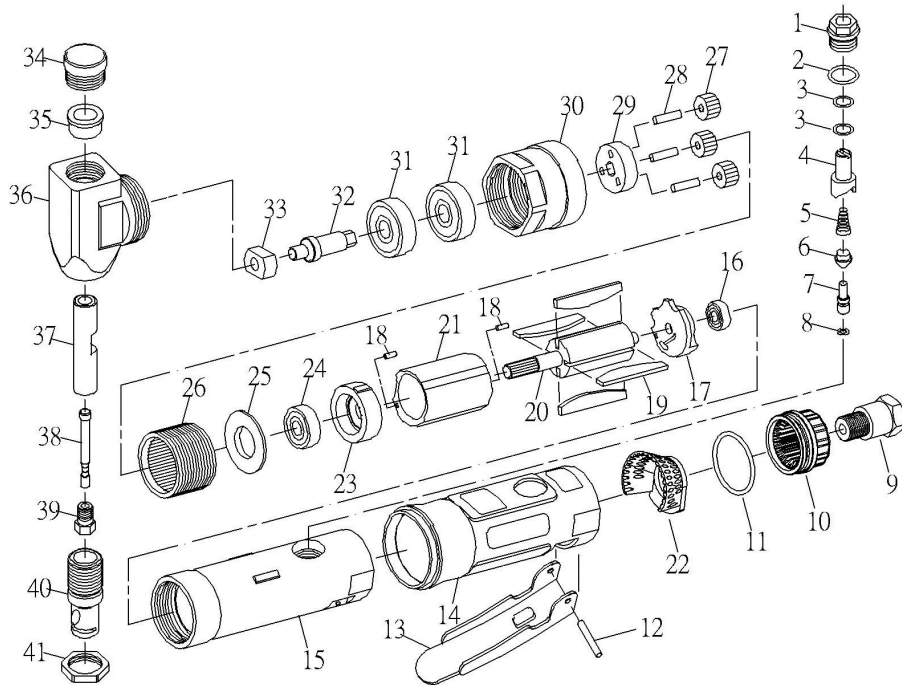


Strokes per min.....	2,600
Maximum capacity.....	16-gauge steel
Width of cut.....	3/16" (4.5mm)
Minimum cutting radius.....	1 3/8" Dia.
Weight.....	2 1/4 lbs.
Length.....	7"
Average air consumption.....	4 CFM
Recommended hose size.....	3/8" I.D.
Air inlet.....	1/4"NPT
Maximum operating pressure.....	90 PSI

Parts Breakdown for UT8600-1

Replacement Parts for UT8600-1

NO	PART NO	PART NO	Q'TY
1	9ST70001	SCREW	1
2	9ST70002	O-RING (P12)	1
3	9ST70003	O-RING (P8)	2
4	9ST70004	AIR REGULATOR	1
5	950332	SPRING	1
6	970429	VALVE STEM BUSHING	1
7	9ST70007	VALVE STEM	1
8	9OB-04	O-RING(3.5*1.4)	1
9	9ST70009	AIR INLET	1
10	9ST70010A	EXHAUST SLEEVE	1
11	9ST70011	O-RING (26.7*1.78)	1
12	970432	SPRING PIN	1
13	970013BK	LEVER	1
14	9ST70014	RUBBER	1
15	9ST70015	HOUSING	1
16	920312	BEARING (696ZZ)	1
17	9ST70017	REAR PLATE	1
18	9ST70018	PIN	2
19	920019	ROTOR BLADE	4
20	935020	ROTOR(6T)	1
21	9ST70021	CYLINDER	1

NO	PART NO	PART NO	Q'TY
22	970022A	CONE MUFFLER	1
23	9ST70023	FRONT PLATE	1
24	970024A	BEARING (608ZZ)	1
25	935025	WASHER	1
26	935026	THREAD RING GEAR(42T)	1
27	924527	IDLER GEAR (18T)	3
28	9ST70028	IDLER GEAR PIN	3
29	920325-2	GEAR PLATE	1
30	935030	CLAMP NUT	1
31	924531	BEARING (6200ZZ)	2
32	920117	CRANK SHAFT	1
33	920118	CAM	1
34	920119	HEAD CAP	1
35	920120	BUSHING	1
36	920121	HEAD	1
37	920122	SLIDE SPINDLE	1
38	935038A	PUNCH	1
39	935039A	SCREW	1
40	935040A	DIE	1
41	935041	NUT	1

Limited Warranty

Florida Pneumatic warrants its tools to be free from defects in material and workmanship for two years from the date of purchase. This warranty does not apply to tools which have been abused, misused, modified or repaired by someone other than Florida Pneumatic or its authorized service centers. If a Florida Pneumatic proves defective in material of workmanship within one year after purchase, return it to any authorized service center or to Florida Pneumatic, freight prepaid. Please enclose your name, address and adequate proof of purchase date with a brief description of the defect. Florida Pneumatic will, at its option, repair or replace defective tools, free of charge. Repairs or replacements are warranted as described above for the remainder of the warranty period. Florida Pneumatic's sole liability and your exclusive remedy under this warranty is limited to repair or replacement of the defective tool. There are no other warranties expressed or implied and Florida Pneumatic shall not be liable for incidental, consequential or special damages, or any other damages, costs or expense of repair or replacement as described above.