

PLEASE READ AND FOLLOW ALL WARNINGS

UT8480C / 8480S



1" IMPACT WRENCH

Read Operating Instructions

Always become familiar with all the instructions and warnings before operating any power tool.



90 PSIG Maximum

This tool is designed to operate at an air pressure of 90 pounds per square inch gauge pressure (90 PSIG) maximum, at the tool. Use of higher air pressure can, and may cause injury. Also, the use of higher air pressure places the internal components under loads and stresses they were not designed for, causing premature failure. The air supply should be clean and dry. For best results, drain the moisture from your compressor daily.

Always Wear Approved Eye Protection

Impact resistant eye protection should meet or exceed the standards as set forth in the United States ANSI Z87.1, Occupational and Educational Eye and Face Protection. Look for the marking Z87.1 on your eye protection to insure that it is an approved style. For further information, ANSI Z87.1, Occupational and Educational Eye and Face Protection, is available from the American National Standards Institute, Inc., 11 West 42nd Street, New York, NY 10036.



Hearing Protection is Recommended

Hearing protection should be used when the noise level exposure equals or exceeds an 8 hour time-weighted average sound level of 85 dBA. Process noise, reflective surfaces, other tools being operated nearby, all add to the noise level present in your work area. If you are unable to determine your noise level exposure, we recommend the use of hearing protection.



Avoid Prolonged Exposure to Vibration

Tools can vibrate during use. Movements, can cause injury. Stop using any tool if discomfort, tingling feeling or pain occurs. You should consult your physician before resuming use of the tool.

- UT8480C 1" Straight Impact Wrench
- UT8480S #5 Spline Straight Impact Wrench
- Hard hitting twin hammer-2730 ft.lb. max. torque
- Three piece housing design eases maintenance
- Extra heavy duty steel hammer case for ultimate durability
- Combined reverse and power management switch



UT8480C / UT8480S

Safety Instructions

The following general instructions are furnished as general guidelines for use of your pneumatic tool. They cannot comprehensively cover all possible or conceivable uses of the subject tool. For additional information on the safe use of air tools, we advise you to obtain a copy of ANSI B186.1 Safety Code for Portable Air Tools, available from the following source:

American National Standards Institute, Inc.
11 West 42nd Street
New York, NY 10036.

The use of the word "shall" in the following instructions, indicates that adherence to the particular requirement is necessary to conform to ANSI B186.1.

Tool Application and Usage

Portable tools shall be used only for the purposes intended in their design and within the capacity for which they were intended and rated. It shall be the tool owner's and/or employer's responsibility to instruct each operator in the safe use of the tool. Tools shall not be used without guards and safety

Tool Installation

Pressure regulators shall be used to limit air pressure to the rated pressure where the supply pressure exceeds the tool's rated pressure. Air hoses and lines shall be relieved of compressed air before being disconnected or disjoined, unless there is automatic valve closing protection at the joint being separated. Synthetic lubricants which can cause deterioration of elastomer seals shall not be used in air systems of air tools.

Tool Maintenance

It shall be the tool owner's and/or employer's responsibility to assure that tools are maintained in a safe operating condition. Tool maintenance and repair shall be performed by authorized, trained, competent personnel. Tools shall be disconnected from their compressed air supply before repairs are attempted. Repairs shall be consistent with the manufacturer's recommended procedures. Tool, hoses and fittings shall be replaced if unsuitable for safe operation. It shall be the tool owner's and/or employer's responsibility to keep required rating markings and warnings on the tool in legible condition.

Florida Pneumatic Manufacturing Corporation
851 Jupiter Park Lane, Jupiter, Florida 33458
(561) 744-9500 • Fax (561) 575-9134 • Toll Free 1-800-327-9403

FPMC

Read these instructions carefully before attempting to install, operate or service this Florida Pneumatic product. Failure to comply with the instructions could result in personal injury and/or property damage! Retain these instructions for future reference.



Universal Tool

UT8480C/8480S

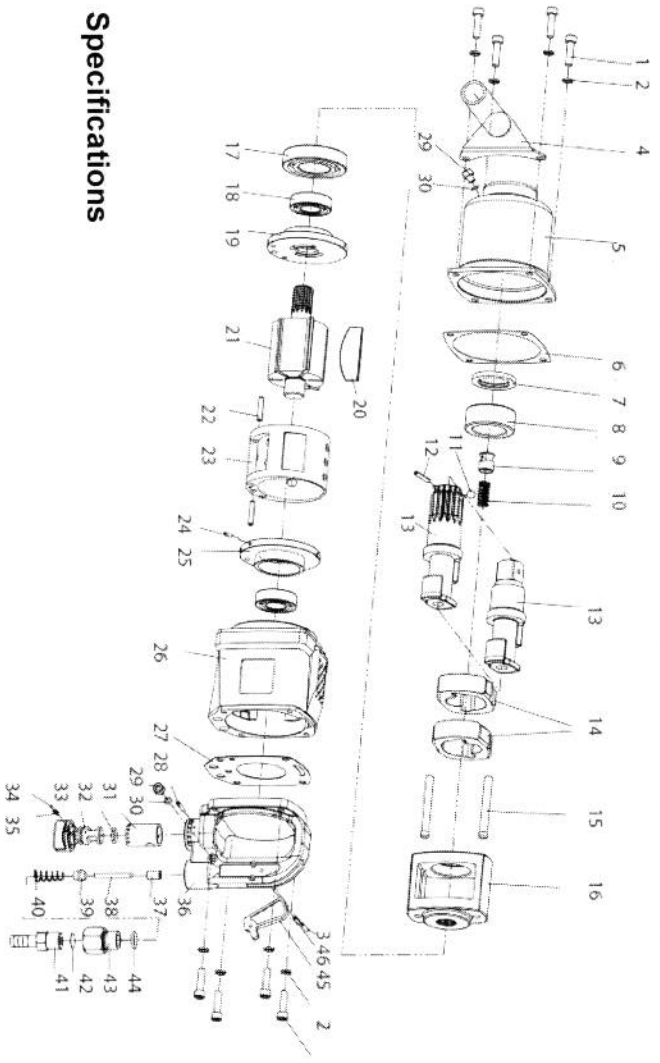
1" IMPACT WRENCH



Universal Tool

UT8480C/8480S

1" IMPACT WRENCH



REF	PART #	DESCRIPTION	QTY	REF	PART #	DESCRIPTION	QTY
1	9049301	Hex Screw	8	24	9049324	Pin	1
2	9049302	Spring Washer	8	25	9049325	Rear End Plate	1
3	9049303	Pin	1	26	9049326	Housing	1
4	9049304	Assist Handle Bracket	1	27	9049327	Gasket	1
5	9049305	Hammer Case	1	28	9049328	Pin	1
6	9049306	Gasket	1	29	9049329	Hex Screw	2
7	9049307	Oil Seal	1	30	9049330	O Ring	2
8	9049308	Anvil Bushing	1	31	9049331	Valve Bushing	1
9	9049309	Valve	1	32	9049332	O Ring	1
10	9049310	Spring	1	33	9049333	Direction Pole	1
11	9049311	Steel Ball	1	34	9049334	Steel Ball	1
12	9049312	Pin	1	35	9049335	Spring	1
13	9049313C	1" Square Anvil	1	36	9049336	Handle	1
13	9049313S	#5 Splined Anvil	1	37	9049337	Throttle Bushing	1
14	9049314	Hammer	2	38	9049338	Switch Pin	1
15	9049315	Pin	2	39	9049339	Plug	1
16	9049316	Hammer Cage	1	40	9049340	Spring	1
17	9049317	Bearing	2	41	9049341	Hose Connector	1
18	9049318	Bearing	1	42	9049342	Air Inlet Screen	1
19	9049319	Front End Plate	1	43	9049343	Air Inlet	1
20	9049320	Vane	6	44	9049344	O Ring	1
21	9049321	Rotor	1	45	9049345	Trigger	1
22	9049322	Pin	2	46	9049346	Pin	1
23	9049323	Cylinder	1				

Specifications

Working Torque Ft. lb.	Working Torque Nm	Max Torque (ft. lb.)	Max Torque (Nm)	Speed (RPM)	Anvil	Socket Retainer	Exhaust	Weight (lb.)	Weight (kg)	Length (in.)	Length (mm)	Rec Pressure	Air Inlet (MPa)	Hose (I.D. in.)	Air Cons (cfm)	Average (cfm)
500-1800	678-2435	2,730	3696	6600	1" Square	Through Hole	Top	28.0	12.7	17.80	452	90 psi-6.2 bar	1/2"	3/4"	70	17.5
500-1800	678-2435	2,730	3696	6600	#5 Splined	Button	Top	28.0	12.7	17.80	452	90 psi-6.2 bar	1/2"	3/4"	70	17.5

- Tool Operation and Maintenance**
- ☐ Daily, before putting tool into operation, disconnect air hose and pour 1/4 oz. of air tool oil into the air inlet.
 - ☐ Blow out air line to clear it of accumulated dirt and moisture. Connect tool and operate momentarily to allow oil to be carried through tool.
 - ☐ Hose runs longer than 8 feet should be connected to a 1/2" ID hose to provide sufficient volume for proper performance.
 - ☐ We recommend oil made exclusively for air tools or equivalents which include moisture absorbants, rust inhibitors, metal wetting agents and an EP (extreme pressure) additive.

Limited Warranty

Universal Tool warrants its tools to be free from defects in material and workmanship for one year from the date of purchase. This warranty does not apply to tools which have been abused, misused, modified or repaired by someone other than Universal Tool or its authorized service centers. If a Universal Tool proves defective in material or workmanship within one year after purchase, return it to any authorized service center or to Universal Tool, freight prepaid. Please enclose your name, address and adequate proof of purchase date with a brief description of the defect. Universal Tool will, at its option, repair or replace defective tools, free of charge. Repairs or replacements are warranted as described above for the remainder of the warranty period. Universal Tool's sole liability and your exclusive remedy under this warranty is limited to repair or replacement of the defective tool. There are no other warranties expressed or implied and Universal Tool shall not be liable for incidental, consequential or special damages, or any other damages, costs or expense of repair or replacement as described above.