

# PLEASE READ AND FOLLOW ALL WARNINGS

## Read Operating Instructions

Always become familiar with all the instructions and warnings before operating any power tool.



## Always Wear Approved Eye Protection

Impact resistant eye protection should meet or exceed the standards as set forth in the United States ANSI Z87.1, Occupational and Educational Eye and Face Protection. Look for the marking Z87.1 on your eye protection to insure that it is an approved style. For further information, ANSI Z87.1, Occupational and Educational Eye and Face Protection, is available from the American National Standards Institute, Inc., 11 West 42nd Street, New York, NY 10036.



## Hearing Protection is Recommended

Hearing protection should be used when the noise level exposure equals or exceeds an 8 hour time-weighted average sound level of 85 dBA. Process noise, reflective surfaces, other tools being operated nearby, all add to the noise level present in your work area. If you are unable to determine your noise level exposure, we recommend the use of hearing protection.



## Avoid Prolonged Exposure to Vibration

Tools can vibrate during use. Prolonged exposure to vibration or very repetitive hand and arm movements, can cause injury. Stop using any tool if discomfort, tingling feeling or pain occurs. You should consult your physician before resuming use of the tool.



## 90 PSIG Maximum

This tool is designed to operate at

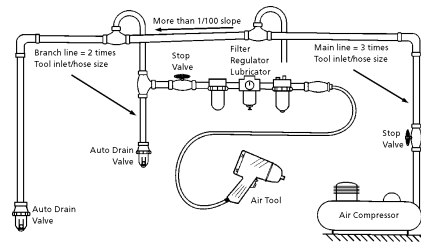
an air pressure of 90 pounds per square inch gauge pressure (90 PSIG) maximum, at the tool. Use of higher air pressure can, and may cause injury. Also, the use of higher air pressure places the internal components under loads and stresses they were not designed for, causing premature failure. The air supply should be clean and dry, preferably lubricated. For best results, drain the moisture from your compressor daily.

## WARNING:

Some dust created by power sanding, sawing, grinding, drilling, and other construction activities contains chemicals known to cause cancer, birth defects or reproductive harm. Some examples of these chemicals are:

- Lead from lead-based paints
- Crystalline silica from bricks, cement and other masonry products
- Arsenic and chromium from chemically treated lumber

Your risk from these exposures varies, depending on how often you do this type of work. To reduce your exposure to these chemicals, work in a well-ventilated area and work with approved safety equipment such as those dust masks that are specially designed to filter out microscopic particles.



## Description

Universal 3/4" impact wrenches are intended for use in automotive and industrial applications such as die build-up/teardown, fleet work, commercial and farm applications.



## Safety Instructions

The following instructions are furnished as general guidelines for use of your pneumatic tool. They cannot comprehensively cover all possible or conceivable uses of the subject tool. For additional information on the safe use of air tools, we advise you to obtain a copy of ANSI B186.1 Safety Code for Portable Air Tools, available from the following source:

American National Standards Institute, Inc.  
11 West 42nd Street  
New York, NY 10036.

The use of the word "shall" in the following instructions, indicates that adherence to the particular requirement is necessary to conform to ANSI B186.1.

## Tool Application and Usage

Portable tools shall be used only for the purposes intended in their design and within the capacity for which they were intended and rated. It shall be the tool owner's and/or employer's responsibility to instruct each operator in the safe use of the tool. Tools shall not be used without guards and safety

devices as furnished by the manufacturer. Where an air tool is modified or altered, the modifier shall provide the safeguards to enable it to be safely used in the operations intended and to comply with any applicable provisions as contained in ANSI B186.1.

## Tool Installation

Pressure regulators shall be used to limit air pressure to the rated pressure where the supply pressure exceeds the tool's rated pressure. Air hoses and lines shall be relieved of compressed air before being disconnected or disjoined, unless there is automatic valve closing protection at the joint being separated. Synthetic lubricants which can cause deterioration of elastomer seals shall not be used in air systems of air tools.

## Tool Maintenance

It shall be the tool owner's and/or employer's responsibility to assure that tools are maintained in a safe operating condition. Tool maintenance and repair shall be performed by authorized, trained, competent personnel. Tools shall be disconnected from their compressed air supply before repairs are attempted. Repairs shall be consistent with the manufacturer's recommended procedures. Tool, hoses and fittings shall be replaced if unsuitable for safe operation. It shall be the tool owner's and/or employer's responsibility to keep required rating markings and warnings on the tool in legible condition.

Universal Tool  
A Division of Florida Pneumatic Manufacturing Corporation  
851 Jupiter Park Lane, Jupiter, Florida 33458  
Toll Free 1-800-327-9403

Read these instructions carefully before attempting to install, operate or service this Florida Pneumatic product. Failure to comply with the instructions could result in personal injury and/or property damage! Retain these instructions for future reference.

FPMC



**Universal Tool**

3/4" HEAVY DUTY IMPACT WRENCH W/1" ANVIL

UT8340C/UT8410C



**Universal Tool**

3/4" HEAVY DUTY IMPACT WRENCH W/1" ANVIL

UT8340C/UT8410C

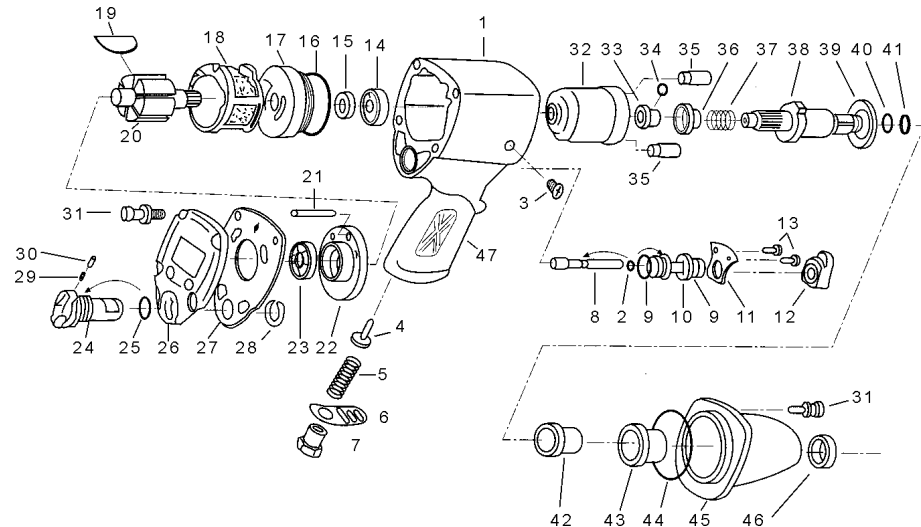
**SPECIFICATIONS**

Drive.....3/4 in.  
 Free Speed.....5,000 RPM  
 Maximum torque.....1200 ft./lbs.  
 Length.....10-1/4-in.  
 Weight..... 12-1/2 lbs.  
 Air inlet.....3/8 in.NPT  
 Average air consumption.....5.8 CFM  
 Maximum operating pressure.....90 PSI

**Parts Breakdown for UT8410C/UT8340C**

**USE ONLY IMPACT SOCKETS & ACCESSORIES**

Sockets and accessories used shall be of the impact socket type. Always check sockets, retainers and drives regularly for wear or damage and replace whenever necessary



**Replacement Parts for UT8410C/UT8340C**

Ref.	Description	Part #	Ref.	Description	Part #
1	Motor Housing	8700595F	28	CE Ring	8700206
2	O-Ring	8700308	29	Stop Pin Spring	8700312
3	Oil Plug	8729739	30	Stop Pin	8700474
4	Valve Stem	8700596	31	Cap Screw	8700615
5	Throttle Spring	8700597		w/lockwasher (8)	
6	Exhaust Deflector	8700598	32	Hammer Cage	8700616
7	Hose Adapter	8700599	33	Cam Ball Pilot	8574035
	w/Screen		34	Cam Ball	8574034
8	Throttle Pin	8700600	35	Hammer Pin (2)	8700617
9	O-Ring (2)	8700202	36	Hammer Cam	8574033
10	Throttle Bushing	8700601	37	Cam Release Spring	8700618
11	Stop Cover	8700602	38	Anvil 3/4" (UT8340C)	8700845
12	Throttle Trigger	8700603	38	Anvil 1" (UT8410C)	8700901
13	Tapping Screw (2)	8700077	39	Anvil Spacer	8700621
14	Ball Bearing	8700604	40	O-Ring (UT8340C)	8729774
15	Oil Seal	8700174	40	O-Ring (UT8410C)	8731878
16	O-Ring	8700605	41	Socket Retaining Ring	8729775
17	Front Plate	8700606		(UT8340C)	
18	Cylinder	8700607	41	Socket Retaining Ring	8731879
19	Rotor Blade (6)	8700608		(UT8410C)	
20	Rotor	8700609			
21	Guide Pin	8700610	42	Anvil Collar	8700806
22	Rear Plate	8700611	43	Steel Housing Bushing	8700804
23	Ball Bearing	81008262	44	O-Ring	8700624
24	Air Reg. Reverse	8700612	45	Steel Housing	8700807
25	O-Ring	8700201	46	Oil Seal	8729740
26	End Cap	8700613	47	Rubber Handle	8700627
27	End Cap Gasket	8700614			

**Limited Warranty**

Universal Tool warrants its tools to be free from defects in material and workmanship for one year from the date of purchase. This warranty does not apply to tools which have been abused, misused, modified or repaired by someone other than Universal Tool or its authorized service centers. If a Universal Tool proves defective in material of workmanship within one year after purchase, return it to any authorized service center or to Universal Tool, freight prepaid. Please enclose your name, address and adequate proof of purchase date with a brief description of the defect. Universal Tool will, at its option, repair or replace defective tools, free of charge. Repairs or replacements are warranted as described above for the remainder of the warranty period. Universal Tool's sole liability and your exclusive remedy under this warranty is limited to repair or replacement of the defective tool. There are no other warranties expressed or implied and Universal Tool shall not be liable for incidental, consequential or special damages, or any other damages, costs or expense of repair or replacement as described above.