

# PLEASE READ AND FOLLOW ALL WARNINGS



UT8160R

1/2" Pistol Impact-Two Hammer

## Read Operating Instructions

Always become familiar with all the instructions and warnings before operating any power tool.

## Always Wear Approved Eye Protection

Impact resistant eye protection should meet or exceed the standards as set forth in the United States ANSI Z87.1, Occupational and Educational Eye and Face Protection. Look for the marking Z87.1 on your eye protection to insure that it is an approved style. For further information, ANSI Z87.1, Occupational and Educational Eye and Face Protection, is available from the American National Standards Institute, Inc., 11 West 42nd Street, New York, NY 10036.

## Hearing Protection is Recommended

Hearing protection should be used when the noise level exposure equals or exceeds an 8 hour time-weighted average sound level of 85 dBA. Process noise, reflective surfaces, other tools being operated nearby, all add to the noise level present in your work area. If you are unable to determine your noise level exposure, we recommend the use of hearing protection.

## Avoid Prolonged Exposure to Vibration

Tools can vibrate during use. Prolonged exposure to vibration or very repetitive hand and arm movements, can cause injury. Stop using any tool if discomfort, tingling feeling or pain occurs. You should consult your physician before resuming use of the tool.

## 90 PSIG Maximum

This tool is designed to operate at

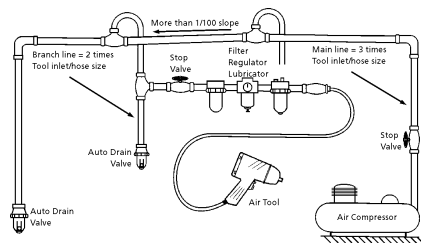
an air pressure of 90 pounds per square inch gauge pressure (90 PSIG) maximum, at the tool. Use of higher air pressure can, and may cause injury. Also, the use of higher air pressure places the internal components under loads and stresses they were not designed for, causing premature failure. The air supply should be clean and dry, preferably lubricated. For best results, drain the moisture from your compressor daily.

## WARNING:

Some dust created by power sanding, sawing, grinding, drilling, and other construction activities contains chemicals known to cause cancer, birth defects or reproductive harm. Some examples of these chemicals are:

- Lead from lead-based paints
- Crystalline silica from bricks, cement and other masonry products
- Arsenic and chromium from chemically treated lumber

Your risk from these exposures varies, depending on how often you do this type of work. To reduce your exposure to these chemicals, work in a well-ventilated area and work with approved safety equipment such as those dust masks that are specially designed to filter out microscopic particles.



## Description

Universal Tool 1/2" anvil impact wrench is designed for a wide variety of applications where access to recessed areas is required. This unit features a built-in power regulator for convenient output adjustment and a ring type socket retainer for quick and easy socket removal.



## Safety Instructions

The following instructions are furnished as general guidelines for use of your pneumatic tool. They cannot comprehensively cover all possible or conceivable uses of the subject tool. For additional information on the safe use of air tools, we advise you to obtain a copy of ANSI B186.1 Safety Code for Portable Air Tools, available from the following source:

American National Standards Institute, Inc.  
11 West 42nd Street  
New York, NY 10036.

The use of the word "shall" in the following instructions, indicates that adherence to the particular requirement is necessary to conform to ANSI B186.1.

## Tool Application and Usage

Portable tools shall be used only for the purposes intended in their design and within the capacity for which they were intended and rated. It shall be the tool owner's and/or employer's responsibility to instruct each operator in the safe use of the tool. Tools shall not be used without guards and safety

devices as furnished by the manufacturer. Where an air tool is modified or altered, the modifier shall provide the safeguards to enable it to be safely used in the operations intended and to comply with any applicable provisions as contained in ANSI B186.1.

## Tool Installation

Pressure regulators shall be used to limit air pressure to the rated pressure where the supply pressure exceeds the tool's rated pressure. Air hoses and lines shall be relieved of compressed air before being disconnected or disjoined, unless there is automatic valve closing protection at the joint being separated. Synthetic lubricants which can cause deterioration of elastomer seals shall not be used in air systems of air tools.

## Tool Maintenance

It shall be the tool owner's and/or employer's responsibility to assure that tools are maintained in a safe operating condition. Tool maintenance and repair shall be performed by authorized, trained, competent personnel. Tools shall be disconnected from their compressed air supply before repairs are attempted. Repairs shall be consistent with the manufacturer's recommended procedures. Tool, hoses and fittings shall be replaced if unsuitable for safe operation. It shall be the tool owner's and/or employer's responsibility to keep required rating markings and warnings on the tool in legible condition.

**Read these instructions carefully before attempting to install, operate or service this Florida Pneumatic product. Failure to comply with the instructions could result in personal injury and/or property damage! Retain these instructions for future reference.**

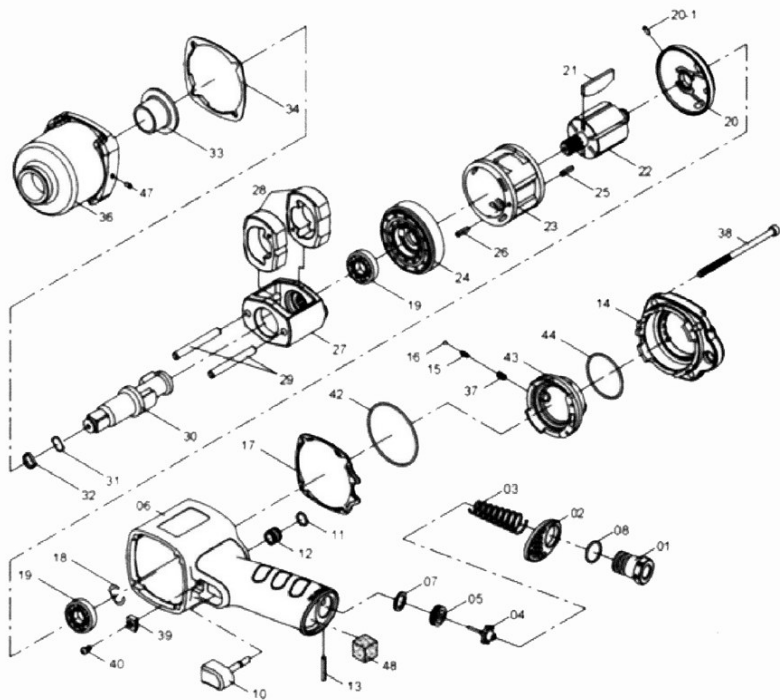
Florida Pneumatic Manufacturing Corporation  
851 Jupiter Park Lane, Jupiter, Florida 33458  
Toll Free 1-800-327-9403

FPMC

Drive size.....	1/2"
Free speed (No load).....	9,500 RPM
Impacts per minute.....	1,200 IPM
Torque range.....	735 Ft. Lbs. @ 90 psi
Bolt Capacity.....	.3/4"
Weight.....	4.2 lbs.
Overall length.....	7.2"
Average air consumption.....	6.5 CFM
Recommended hose size.....	3/8" I.D.
Air inlet.....	1/4" NPT
Maximum operating pressure.....	90 psi

**Parts Breakdown for UT8160R**
**USE ONLY IMPACT SOCKETS & ACCESSORIES**

Sockets and accessories used shall be of the impact socket type. Always check sockets, retainers and drives regularly for wear or damage and replace whenever necessary


**Replacement Parts for UT8160R**

Ref.	Description	Part #	Ref.	Description	Part #
1	Inlet Bushing	9287540	23	Cylinder	9287562
2	Exhaust Deflector	9287541	24	Front Plate	9287563
3	Throttle Valve Spring	9287542	25	Spring Pin	9287564
4	Throttle Valve	9287543	26	Spring Pin	9287565
5	Throttle Valve Seat	9287544	27	Hammer Cage	9287566
6	Motor Housing	9287545	28	Hammer (2)	9287567
7	Spacer	9287546	29	Hammer Pin (2)	9287568
8	O-Ring	9287547	30	Anvil	9287569
10	Trigger	9287548	31	Retainer O-Ring	9287570
11	O-Ring (2)	9287549	32	Socket Retainer	9287571
12	Pipe	9287550	33	Anvil Bushing	9287572
13	Spring Pin	9287551	34	Gasket	9287573
14	Housing Cap	9287600	36	Hammer Housing	9287601
15	Spring	9287553	37	Spring Cap	9287602
16	Detent Ball	9287554	38	Screw (4)	9287576
17	Gasket	9287555	39	Trigger Retainer	9287577
18	Retaining Ring	9287556	40	Screw (2)	9287578
19	Ball Bearing (2)	9287557	42	O-Ring	9287580
20	Rear Plate	9287558	43	Power Management Knob	9287603
20-1	Spring Pin	9287559	44	O-Ring	9287604
21	Rotor Blade (6)	9287560	47	Grease Fitting	9287585
22	Rotor	9287561	48	Muffler	9287587

**Limited Warranty**

Florida Pneumatic warrants its tools to be free from defects in material and workmanship for two years from the date of purchase. This warranty does not apply to tools which have been abused, misused, modified or repaired by someone other than Florida Pneumatic or its authorized service centers. If a Florida Pneumatic proves defective in material or workmanship within two years after purchase, return it to any authorized service center or to Florida Pneumatic, freight prepaid. Please enclose your name, address and adequate proof of purchase date with a brief description of the defect. Florida Pneumatic will, at its option, repair or replace defective tools, free of charge. Repairs or replacements are warranted as described above for the remainder of the warranty period. Florida Pneumatic's sole liability and your exclusive remedy under this warranty is limited to repair or replacement of the defective tool. There are no other warranties expressed or implied and Florida Pneumatic shall not be liable for incidental, consequential or special damages, or any other damages, costs or expense of repair or replacement as described above.