

PLEASE READ AND FOLLOW ALL WARNINGS



UT8070R

3/8" IMPACT WRENCH

Read Operating Instructions

Always become familiar with all the instructions and warnings before operating any power tool.

Always Wear Approved Eye Protection

Impact resistant eye protection should meet or exceed the standards as set forth in the United States ANSI Z87.1, Occupational and Educational Eye and Face Protection. Look for the marking Z87.1 on your eye protection to insure that it is an approved style. For further information, ANSI Z87.1, Occupational and Educational Eye and Face Protection, is available from the American National Standards Institute, Inc., 11 West 42nd Street, New York, NY 10036.

Hearing Protection is Recommended

Hearing protection should be used when the noise level exposure equals or exceeds an 8 hour time-weighted average sound level of 85 dBA. Process noise, reflective surfaces, other tools being operated nearby, all add to the noise level present in your work area. If you are unable to determine your noise level exposure, we recommend the use of hearing protection.

Avoid Prolonged Exposure to Vibration

Tools can vibrate during use. Prolonged exposure to vibration or very repetitive hand and arm movements, can cause injury. Stop using any tool if discomfort, tingling feeling or pain occurs. You should consult your physician before resuming use of the tool.

90 PSIG Maximum

This tool is designed to operate at

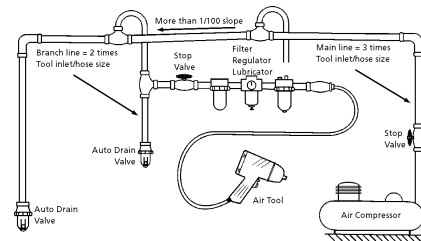
an air pressure of 90 pounds per square inch gauge pressure (90 PSIG) maximum, at the tool. Use of higher air pressure can, and may cause injury. Also, the use of higher air pressure places the internal components under loads and stresses they were not designed for, causing premature failure. The air supply should be clean and dry, preferably lubricated. For best results, drain the moisture from your compressor daily.

WARNING:

Some dust created by power sanding, sawing, grinding, drilling, and other construction activities contains chemicals known to cause cancer, birth defects or reproductive harm. Some examples of these chemicals are:

- Lead from lead-based paints
- Crystalline silica from bricks, cement and other masonry products
- Arsenic and chromium from chemically treated lumber

Your risk from these exposures varies, depending on how often you do this type of work. To reduce your exposure to these chemicals, work in a well-ventilated area and work with approved safety equipment such as those dust masks that are specially designed to filter out microscopic particles.



Description

Universal 3/8" impact wrench is designed for demanding fastening and teardown applications. Features a built-in regulator for convenient power output adjustment, steel anvil housing to protect internal components, through handle exhaust and a ring retainer anvil for secure socket retention.



Safety Instructions

The following instructions are furnished as general guidelines for use of your pneumatic tool. They cannot comprehensively cover all possible or conceivable uses of the subject tool. For additional information on the safe use of air tools, we advise you to obtain a copy of ANSI B186.1 Safety Code for Portable Air Tools, available from the following source:

American National Standards Institute, Inc.

11 West 42nd Street
New York, NY 10036.

The use of the word "shall" in the following instructions, indicates that adherence to the particular requirement is necessary to conform to ANSI B186.1.

Tool Application and Usage

Portable tools shall be used only for the purposes intended in their design and within the capacity for which they were intended and rated. It shall be the tool owner's and/or employer's responsibility to instruct each operator in the safe use of the tool. Tools shall not be used without guards and safety

devices as furnished by the manufacturer. Where an air tool is modified or altered, the modifier shall provide the safeguards to enable it to be safely used in the operations intended and to comply with any applicable provisions as contained in ANSI B186.1.

Tool Installation

Pressure regulators shall be used to limit air pressure to the rated pressure where the supply pressure exceeds the tool's rated pressure. Air hoses and lines shall be relieved of compressed air before being disconnected or disjoined, unless there is automatic valve closing protection at the joint being separated. Synthetic lubricants which can cause deterioration of elastomer seals shall not be used in air systems of air tools.

Tool Maintenance

It shall be the tool owner's and/or employer's responsibility to assure that tools are maintained in a safe operating condition. Tool maintenance and repair shall be performed by authorized, trained, competent personnel. Tools shall be disconnected from their compressed air supply before repairs are attempted. Repairs shall be consistent with the manufacturer's recommended procedures. Tool, hoses and fittings shall be replaced if unsuitable for safe operation. It shall be the tool owner's and/or employer's responsibility to keep required rating markings and warnings on the tool in legible condition.

Read these instructions carefully before attempting to install, operate or service this Florida Pneumatic product. Failure to comply with the instructions could result in personal injury and/or property damage! Retain these instructions for future reference.

Universal Tool

A Division of Florida Pneumatic Manufacturing Corporation

851 Jupiter Park Lane, Jupiter, Florida 33458

Toll Free 1-800-327-9403

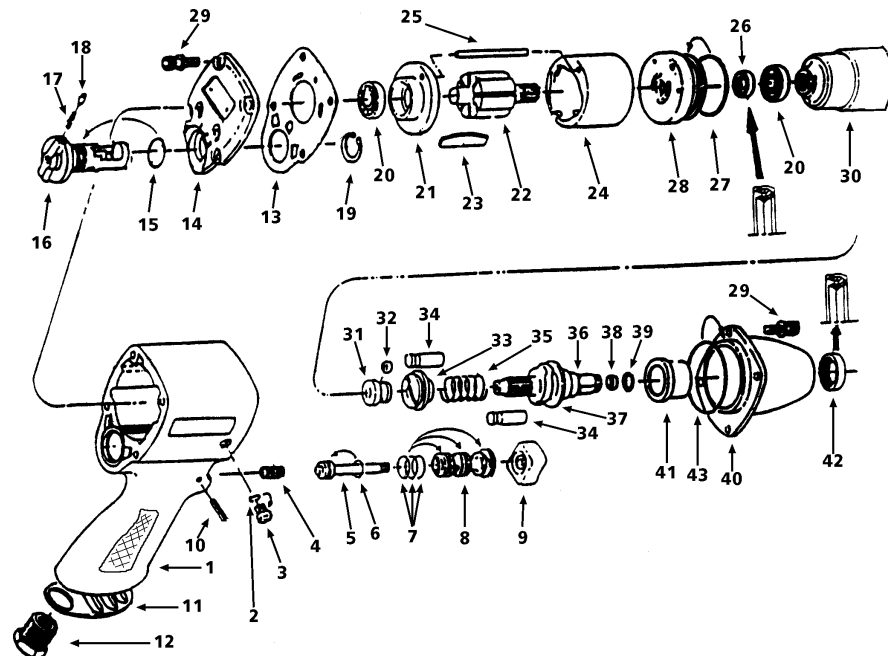
FPMC

Drive size.....	3/8"
Free speed (No Load).....	9,000 RPM
Impacts per minute.....	1,500 IPM
Torque range.....	15-130 ft.lbs.
Weight.....	3 lbs.
Overall length.....	6"
Average air consumption.....	5 CFM
Recommended hose size.....	3/8" I.D.
Air inlet.....	1/4" NPT
Maximum operating pressure.....	90 psi

Parts Breakdown for UT8070R

USE ONLY IMPACT SOCKETS & ACCESSORIES

Sockets and accessories used shall be of the impact socket type. Always check sockets, retainers and drives regularly for wear or damage and replace whenever necessary



Replacement Parts for UT8070R

Ref.	Description	Part #	Ref.	Description	Part #
1	Motor housing	8700427	26	Oil seal	8729019
2	O-ring	8700308	27	O-ring	8729109
3	Oil Plug	8700309	28	Front plate	8700425
4	Throttle Spring	8700065	29	Screw w/washer (8)	8729462
5	Valve Stem	8700366	30	Hammer cage	8573037
6	O-Ring	8729118	31	Cam ball pilot	8573036
7	O-Ring (3)	8729091	32	Cam ball	8573035
8	Throttle bushing	8700428	33	Hammer cam	8573034
9	Throttle trigger	8700307	34	Hammer pin (2)	8573033
10	Spring pin	8700429	35	Cam release spring	8573032
11	Exhaust deflector	8700063	36	Anvil	8573030
12	Hose adaptor	8700064		(3/8 - Standard ring)	
13	Gasket	8700080		Anvil (pin)	8700460-100
14	End cap	8700430	37	Anvil spacer	8573027
15	O-ring	8700072	38	O-ring	8729480
16	Air regulator reverse	8700311A	39	Socket ring	8729788
17	Spring	8700312	40	Steel housing	8700317
18	Stop pin	8700078	41	Anvil bushing	8573026
19	CE ring	8700074	42	Oil seal	8729883
20	Ball bearing (2)	8729020	43	O-ring	8729109
21	Rear plate	8573045			
22	Rotor	8729854			
23	Rotor blade (6)	8729853			
24	Cylinder	8573043			
25	Cylinder guide pin	8729886			

Pieces recommended for tune up

Limited Warranty

Universal Tool warrants its tools to be free from defects in material and workmanship for one year from the date of purchase. This warranty does not apply to tools which have been abused, misused, modified or repaired by someone other than Universal Tool or its authorized service centers. If a Universal Tool proves defective in material or workmanship within one year after purchase, return it to any authorized service center or to Universal Tool, freight prepaid. Please enclose your name, address and adequate proof of purchase date with a brief description of the defect. Universal Tool will, at its option, repair or replace defective tools, free of charge. Repairs or replacements are warranted as described above for the remainder of the warranty period. Universal Tool's sole liability and your exclusive remedy under this warranty is limited to repair or replacement of the defective tool. There are no other warranties expressed or implied and Universal Tool shall not be liable for incidental, consequential or special damages, or any other damages, costs or expense of repair or replacement as described above.