

# PLEASE READ AND FOLLOW ALL WARNINGS



UT8010

1/2" HEAVY DUTY RATCHET

## Read Operating Instructions

Always become familiar with all the instructions and warnings before operating any power tool.



### Always Wear Approved Eye Protection

Impact resistant eye protection should meet or exceed the standards as set forth in the United States ANSI Z87.1, Occupational and Educational Eye and Face Protection. Look for the marking Z87.1 on your eye protection to insure that it is an approved style. For further information, ANSI Z87.1, Occupational and Educational Eye and Face Protection, is available from the American National Standards Institute, Inc., 11 West 42nd Street, New York, NY 10036.



### Hearing Protection is Recommended

Hearing protection should be used when the noise level exposure equals or exceeds an 8 hour time-weighted average sound level of 85 dBA. Process noise, reflective surfaces, other tools being operated nearby, all add to the noise level present in your work area. If you are unable to determine your noise level exposure, we recommend the use of hearing protection.



### Avoid Prolonged Exposure to Vibration

Tools can vibrate during use. Prolonged exposure to vibration or very repetitive hand and arm movements, can cause injury. Stop using any tool if discomfort, tingling feeling or pain occurs. You should consult your physician before resuming use of the tool.



### 90 PSIG Maximum

This tool is designed to operate at

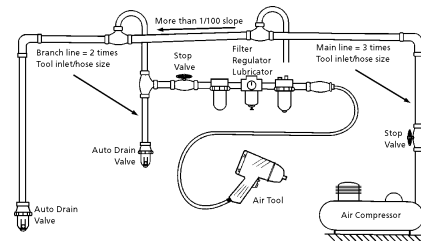
an air pressure of 90 pounds per square inch gauge pressure (90 PSIG) maximum, at the tool. Use of higher air pressure can, and may cause injury. Also, the use of higher air pressure places the internal components under loads and stresses they were not designed for, causing premature failure. The air supply should be clean and dry, preferably lubricated. For best results, drain the moisture from your compressor daily.

### WARNING:

Some dust created by power sanding, sawing, grinding, drilling, and other construction activities contains chemicals known to cause cancer, birth defects or reproductive harm. Some examples of these chemicals are:

- Lead from lead-based paints
- Crystalline silica from bricks, cement and other masonry products
- Arsenic and chromium from chemically treated lumber

Your risk from these exposures varies, depending on how often you do this type of work. To reduce your exposure to these chemicals, work in a well-ventilated area and work with approved safety equipment such as those dust masks that are specially designed to filter out microscopic particles.



## Description

The Universal 1/2" Ratchet is designed for applications such as automotive repair, agricultural, manufacturing and maintenance, applications such as general assembly, transmission teardown engine repair, tapping & reaming, etc.....



devices as furnished by the manufacturer. Where an air tool is modified or altered, the modifier shall provide the safeguards to enable it to be safely used in the operations intended and to comply with any applicable provisions as contained in ANSI B186.1.

## Safety Instructions

The following instructions are furnished as general guidelines for use of your pneumatic tool. They cannot comprehensively cover all possible or conceivable uses of the subject tool. For additional information on the safe use of air tools, we advise you to obtain a copy of ANSI B186.1 Safety Code for Portable Air Tools, available from the following source:

American National Standards Institute, Inc.  
11 West 42nd Street  
New York, NY 10036.

The use of the word "shall" in the following instructions, indicates that adherence to the particular requirement is necessary to conform to ANSI B186.1.

## Tool Application and Usage

Portable tools shall be used only for the purposes intended in their design and within the capacity for which they were intended and rated. It shall be the tool owner's and/or employer's responsibility to instruct each operator in the safe use of the tool. Tools shall not be used without guards and safety

## Tool Installation

Pressure regulators shall be used to limit air pressure to the rated pressure where the supply pressure exceeds the tool's rated pressure. Air hoses and lines shall be relieved of compressed air before being disconnected or disjoined, unless there is automatic valve closing protection at the joint being separated. Synthetic lubricants which can cause deterioration of elastomer seals shall not be used in air systems of air tools.

## Tool Maintenance

It shall be the tool owner's and/or employer's responsibility to assure that tools are maintained in a safe operating condition. Tool maintenance and repair shall be performed by authorized, trained, competent personnel. Tools shall be disconnected from their compressed air supply before repairs are attempted. Repairs shall be consistent with the manufacturer's recommended procedures. Tool, hoses and fittings shall be replaced if unsuitable for safe operation. It shall be the tool owner's and/or employer's responsibility to keep required rating markings and warnings on the tool in legible condition.

Universal Tool  
A Division of Florida Pneumatic Manufacturing Corporation  
851 Jupiter Park Lane, Jupiter, Florida 33458  
Toll Free 1-800-327-9403

Read these instructions carefully before attempting to install, operate or service this Florida Pneumatic product. Failure to comply with the instructions could result in personal injury and/or property damage! Retain these instructions for future reference.

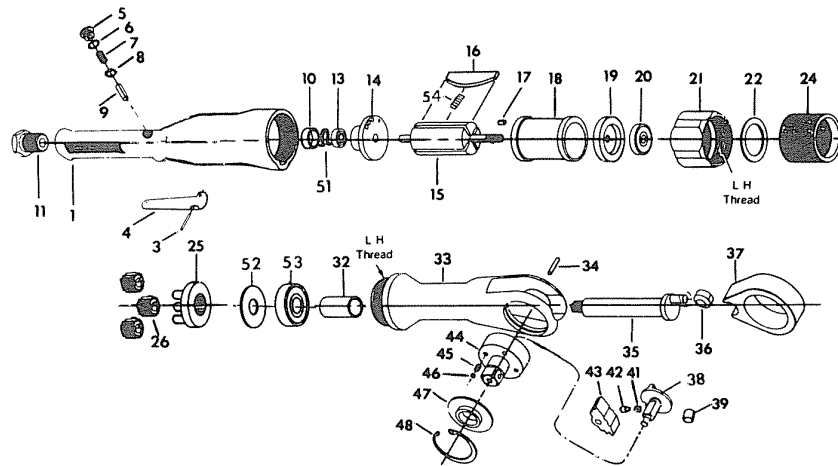
FPMC

**Specifications**

Free Speed RPM.....	150
Drive.....	1/2-in.
Working Torque.....	95 ft.-lbs.
Length.....	14-1/2-in.
Weight.....	4-38 lbs.
Air Inlet.....	1/4-in. NPT
Average Air Consumption.....	4 CFM
Maximum operating pressure.....	90 PSI

**Parts Breakdown for UT8010**
**USE ONLY POWER SOCKETS & ACCESSORIES**

Sockets and accessories used shall be of the power socket type. Always check sockets, retainers and drives regularly for wear or damage and replace whenever necessary


**Replacement Parts for UT8010**

Ref.	Description	Part #	Ref.	Description	Part #
1	Motor housing	8732148	32	Needle bearing	8732173
3	Lever pin	8732150	33	Ratchet housing	8732174
4	Lever	8732151	34	Dowel pin	8732175
5	Valve screw	8732152	35	Crank shaft	8732176
6	• O-Ring	8732153	36	Drive bushing	8732177
7	Spring	8732154	37	Yoke	8732178
8	• O-ring	8732155	38	Reverse button	8732179
9	Plunger	8732156	39	Pin	8732180
10	• Bearing cap	8732157	41	• Ratchet spring	8732181
11	Hose adaptor	8732158	42	Lock pin	8732182
13	• Ball bearing	8729159	43	Ratchet pawl	8732183
14	Rear end plate	8732160	44	Ratchet anvil	8732184
15	Rotor	8732161	45	• Spring (2)	8732185
16	• Rotor blade (4)	8732162	46	• Steel ball (2)	8732186
17	Dowel pin	8732163	47	Thrust washer	8732187
18	Cylinder	8732164	48	Retaining ring	8732188
19	Front end plate	8732165	51	Retaining ring	8732189
20	Ball bearing	8732166	52	Fiber washer	8732190
21	Clamp nut	8732167	53	Ball bearing	8732191
22	Washer	8732168	54	Blade Spring (2)	8900895
24	Internal gear	8732169	<b>D</b>	Ratchet head assembly	729139
25	Idler gear plate	8732170	<b>D</b>	Spline gear removal tool	729 Tool
26	Idler gears (3)	8732171	<b>(D)</b>	Not shown	
			<b>(•)</b>	Items recommended for tune up	

**Limited Warranty**

Universal Tool warrants its tools to be free from defects in material and workmanship for one year from the date of purchase. This warranty does not apply to tools which have been abused, misused, modified or repaired by someone other than Universal Tool or its authorized service centers. If a Universal Tool proves defective in material of workmanship within one year after purchase, return it to any authorized service center or to Universal Tool, freight prepaid. Please enclose your name, address and adequate proof of purchase date with a brief description of the defect. Universal Tool will, at its option, repair or replace defective tools, free of charge. Repairs or replacements are warranted as described above for the remainder of the warranty period. Universal Tool's sole liability and your exclusive remedy under this warranty is limited to repair or replacement of the defective tool. There are no other warranties expressed or implied and Universal Tool shall not be liable for incidental, consequential or special damages, or any other damages, costs or expense of repair or replacement as described above.