

PLEASE READ AND FOLLOW ALL WARNINGS

Universal Tool

**UT4430-4
4" ANGLE GRINDER**

Read Operating Instructions

Always become familiar with all the instructions and warnings before operating any power tool.

Always Wear Approved Eye Protection

Impact resistant eye protection should meet or exceed the standards as set forth in the United States ANSI Z87.1, Occupational and Educational Eye and Face Protection. Look for the marking Z87.1 on your eye protection to insure that it is an approved style. For further information, ANSI Z87.1, Occupational and Educational Eye and Face Protection, is available from the American National Standards Institute, Inc., 11 West 42nd Street, New York, NY 10036.

Hearing Protection is Recommended

Hearing protection should be used when the noise level exposure equals or exceeds an 8 hour time-weighted average sound level of 85 dBA. Process noise, reflective surfaces, other tools being operated nearby, all add to the noise level present in your work area. If you are unable to determine your noise level exposure, we recommend the use of hearing protection.

Avoid Prolonged Exposure to Vibration

Pneumatic tools can vibrate during use. Prolonged exposure to vibration or very repetitive hand and arm movements, can cause injury. Stop using any tool if discomfort, tingling feeling or pain occurs. You should consult your physician before resuming use of the tool.

90 PSIG Maximum

This tool is designed to operate at an air pressure of 90 pounds per square inch gauge pressure (90 PSIG) maximum, at the tool. Use of higher air pressure can, and may cause injury. Also, the use of higher air pressure places the internal components under loads and stresses they were not designed for, causing premature

WARNING:

Some dust created by power sanding, sawing, grinding, drilling, and other construction activities contains chemicals known to cause cancer, birth defects or reproductive harm. Some examples of these chemicals are:

- Lead from lead-based paints
- Crystalline silica from bricks, cement and other masonry products
- Arsenic and chromium from chemically treated lumber

Your risk from these exposures varies, depending on how often you do this type of work. To reduce your exposure to these chemicals, work in a well-ventilated area and work with approved safety equipment such as those dust masks that are specially designed to filter out microscopic particles.

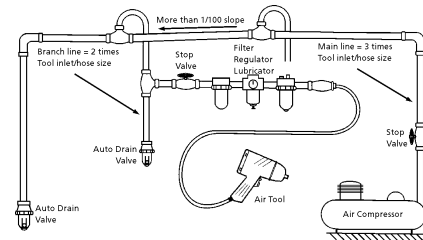
Use Accessories Rated at Tool RPM or Higher

Always use grinding wheels with an RPM rating that meets or exceeds the tool RPM rating.

Always examine wheels for chips, cracks or signs of damage before mounting. Never use grinding wheels that have been dropped or exposed to: water, solvent or extreme temperature changes. The grinder's speed should be checked with a tachometer before mounting a wheel; after all repairs and whenever the

CAUTION

All depressed center wheel, cup wheel, and horizontal wheel grinders must be used with wheel guards. Grinders must be disconnected from the air supply when mounting or removing any wheel or adjusting the wheel guard. After properly mounting the wheel and guard, the grinder should be brought up to full speed and run for at least one minute in a protected enclosure.



Description

The Universal Tool Grinders are designed for material removal in foundry and metal fabrication. All UT Grinders feature powerful direct drive motors and centrifugal speed control governors to maintain RPM under heavy loads.



intended and rated. It shall be the tool owner's and/or employer's responsibility to instruct each operator in the safe use of the tool. Tools shall not be used without guards and safety devices as furnished by the manufacturer. Where an air tool is modified or altered, the modifier shall provide the safeguards to enable it to be safely used in the operations intended and to comply with any applicable provisions as contained in ANSI B186.1.

Tool Installation

Pressure regulators shall be used to limit air pressure to the rated pressure where the supply pressure exceeds the tool's rated pressure. Air hoses and lines shall be relieved of compressed air before being disconnected or disjointed, unless there is automatic valve closing protection at the joint being separated. Synthetic lubricants which can cause deterioration of elastomer seals shall not be used in air systems of air tools.

Tool Maintenance (Fitting Wheels and Guards)

It shall be the tool owner's and/or employer's responsibility to assure that tools are maintained in a safe operating condition. Tool maintenance and repair shall be performed by authorized, trained, competent personnel. Tools shall be disconnected from their compressed air supply before any repairs or fitting of wheels and guards are attempted. Repairs shall be consistent with the manufacturer's recommended procedures. Tool, hoses and fittings shall be replaced if unsuitable for safe operation. It shall be the tool owner's and/or employer's responsibility to keep required rating markings and warnings on the tool in legible condition.

Safety Instructions

The following instructions are furnished as general guidelines for use of your pneumatic tool. They cannot comprehensively cover all possible or conceivable uses of the subject tool. For additional information on the safe use of air tools, we advise you to obtain a copy of ANSI B186.1 Safety Code for Portable Air Tools, available from the following source:

American National Standards
Institute, Inc.
11 West 42nd Street
New York, NY 10036.

The use of the word "shall" in the following instructions, indicates that adherence to the particular requirement is necessary to conform to ANSI B186.1.

Tool Application and Usage

Pneumatic tools shall be used only for the purposes intended in their design and within the capacity for which they were

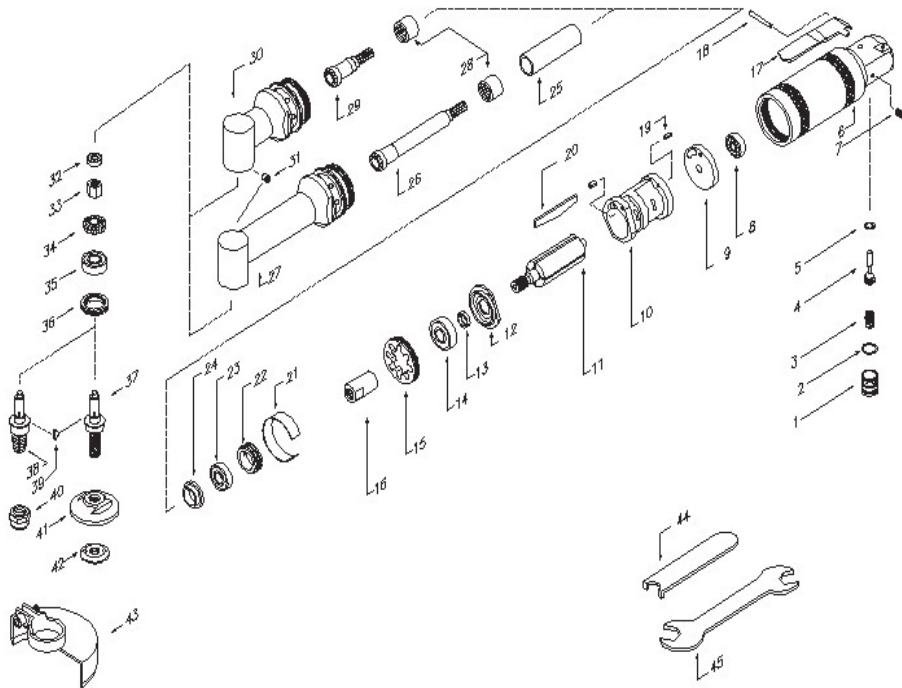
Read these instructions carefully before attempting to install, operate or service this Florida Pneumatic product. Failure to comply with the instructions could result in personal injury and/or property damage! Retain these instructions for future reference.

Universal Tool
A Division of Florida Pneumatic Manufacturing Corporation
851 Jupiter Park Lane, Jupiter, Florida 33458
Toll Free 1-800-327-9403

FPMC

Specifications:

Horse Power.....	.06 HP
Speed.....	13,500 RPM
Max. Wheel Dia.....	4"
Weight.....	3.0 lbs.
Overall length.....	7.6 in.
Average air consumption.....	5.5 CFM
Recommended hose size.....	3/8" I.D.
Air inlet.....	1/4" NPT
Maximum operating pressure.....	.90 psi

Parts Breakdown for UT4430-4

Replacement Parts for UT4430-4

Part #	Order Part	Description
1	C-119180	REGULATOR CAP
2	A-043001	O-RING
3	C-119181	COMPRESSION SPRING
4	C-119179	THROTTLE VALVE
5	C-069083	O-RING
6	C-120649	HOUSING - MOTOR
7	C-119193	SET SCREW
8	S-065412	BALL BEARING
9	C-119182	REAR ENDPLATE
10	C-119183	CYLINDER LINER
11	C-119184	ROTOR
12	C-119185	FRONT ENDPLATE
13	C-119192	BEARING SPACER
14	C-120326	BALL BEARING
15	C-119187	CLAMP NUT
16	C-128490	COUPLING - SPINDLE
17	C-118777	THROTTLE LEVER
18	C-114089	ROLL PIN
19	C-087791	ROLL PIN (2)
20	C-119191	ROTOR BLADE (4)
21	C-119190	DEFLECTOR - EXHAUST
22	C-128489	NUT - CLAMP
23	C-075878	BALL BEARING
24	C-128502	SPACER
25	C-131870	SLEEVE - SPACER
26	C-131871	PINION - BEVEL (LONG)
27	C-131872	HOUSING - ANGLE (LONG)
28	C-128494	ROLLER BEARING
29	C-128496	PINION - BEVEL
30	C-128499	HOUSING - ANGLE
31	C-094661	FITTING - GREASE
32	S-077141	BALL BEARING
33	C-128501	NUT - RETAINING
34	C-128497	GEAR - BEVEL
35	S-064819	BALL BEARING
36	C-128487	NUT - CLAMP
37	C-128498	SPINDLE (THREADED)
38	C-131999	SPINDLE JACOBS 1/4"
39	S-018227	KEY - WOODRUFF
40	S-077858	NUT - COLLET JACOBS 1/4"
41	C-128495	ADAPTOR - WHEEL
42	C-050588	NUT - RETAINING WHEEL
43	C-128500	WHEEL GUARD (4")
44	C-131652	WRENCH - SPANNER
45	C-119327	WRENCH - OPEN END

Limited Warranty

Universal Tool warrants its tools to be free from defects in material and workmanship for one year from the date of purchase. This warranty does not apply to tools which have been abused, misused, modified or repaired by someone other than Universal Tool or its authorized service centers. If a Universal Tool proves defective in material of workmanship within one year after purchase, return it to any authorized service center or to Universal Tool, freight prepaid. Please enclose your name, address and adequate proof of purchase date with a brief description of the defect. Universal Tool will, at its option, repair or replace defective tools, free of charge. Repairs or replacements are warranted as described above for the remainder of the warranty period. Universal Tool's sole liability and your exclusive remedy under this warranty is limited to repair or replacement of the defective tool. There are no other warranties expressed or implied and Universal Tool shall not be liable for incidental, consequential or special damages, or any other damages, costs or expense of repair or replacement as described above.