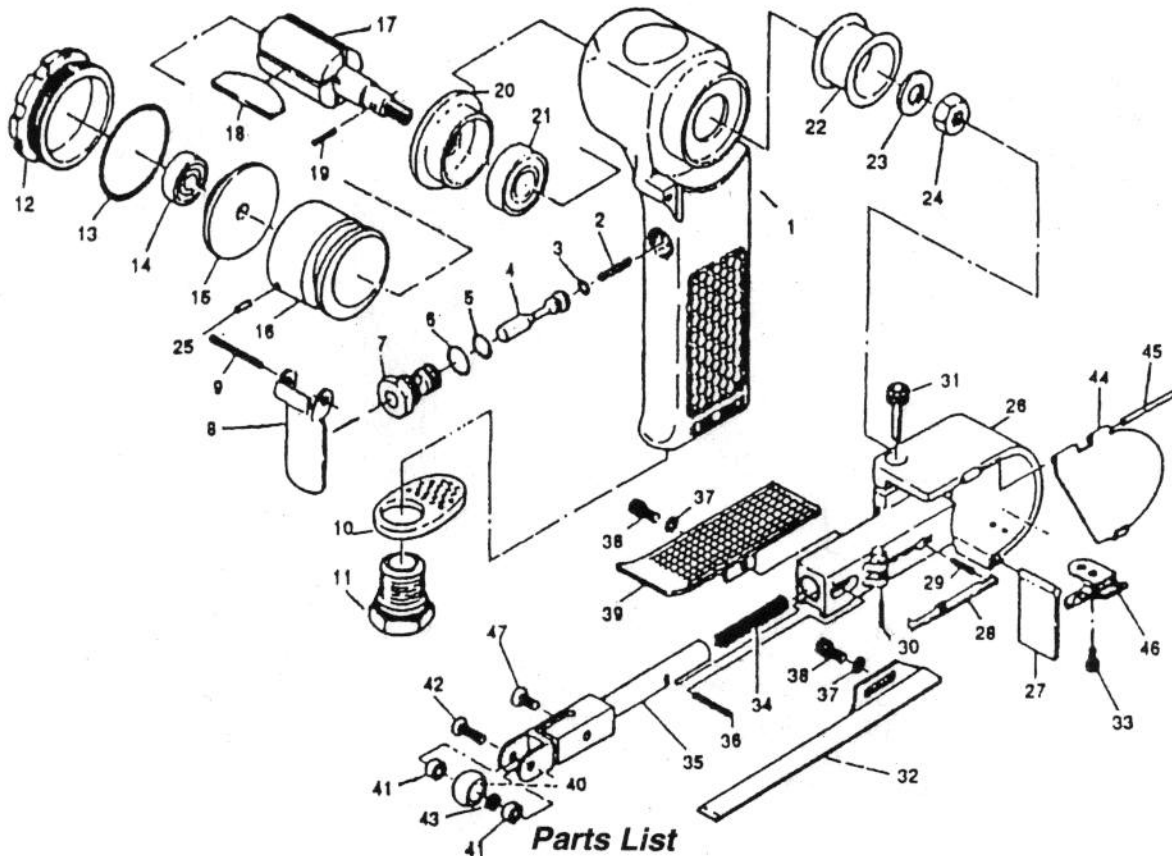


MODEL FP-802 20mm Belt Sander



REF. NO.	DESCRIPTION	PART NO.
1	Motor Housing	8900629
2	Spring	8900490
3	O-Ring	81008173
4	Valve Stem	8900051
5	O-Ring	8729088
6	O-Ring	8729091
7	Valve Body	8900053
8	Throttle Lever	8900514
9	Lever Pin	8729167
10	Deflector	8900515
11	Air Inlet	8900516
12	Motor Nut	8900517
13	O-Ring	8729018
14	Ball Bearing	8729012
15	Rear Plate	8900518
16	Cylinder	8900630
17	Rotor	8900631
18	Rotor Blade (4)	8900246
19	Roll Pin	8900522
20	Front Plate	8900523
21	Ball Bearing	8729113
22	Drive Pulley	8900632
23	Washer	8900633
24	Lock Nut	8900526
25	Cylinder Pin	8900634
26	Wheel Cover	8900635

REF. NO.	DESCRIPTION	PART NO.
27	Apron	8900636
28	Stopper	8900637
29	Stopper Spring	8900638
30	Roll Pin	8732389
31	Cap Screw	8900176
32	Shoe	8900639
33	Cap Screw (2)	8900640
34	Tension Spring	8900641
35	Tension Arm	8900642
36	Stopper Pin	8900643
37	Washer (2)	8900644
38	Cap Screw (2)	8900645
39	Finger Plate	8900646
40	Idle Pulley	8900647
41	Ball Bearing (2)	8900648
42	Idle Shaft	8900649
43	Collar	8900650
44	Wheel Cover Lid	8900651
45	Roll Pin	8900652
46	Cover Latch	8900653
47	Counter Sink	8900654
*	Allen Wrench	8900542
*	60 Grit Sanding Belts	802060
*	80 Grit Sanding Belts	802080
*	120 Grit Sanding Belts	802120
*	Not Shown	