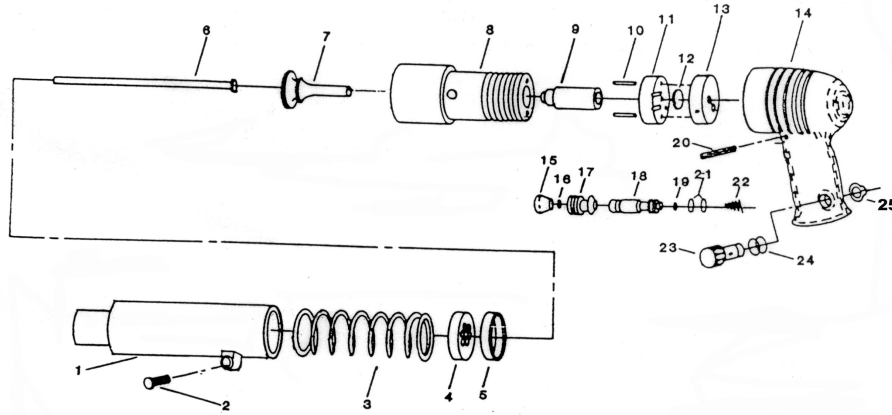


MODEL FP1060 Scaler



Parts List

Ref. No.	Description	Part No.
1	•Scaler housing	109100
2	•Capscrew	109070
3	Spring	109120
4	Needle holder	109110
5	Buffer	109040
6	Needle (set of 18)	109130
7	Anvil	109010
8	Barrel w/112040	425670
9	Piston	112040
10	Retaining ring (2)	111230
11	Lower valve block	121110
12	Flipper valve	121010
13	•Upper valve block	121130

Ref. No.	Description	Part No.
14	Handle	262268
15	•Trigger button	120310
16	O-ring	115120
17	T/V body	120120
18	T/V stem	120220
19	O-ring	115120
20	•Pin	111230
21	•O-ring (2)	115160
22	•Spring	118020
23	•Regulator	111110
24	O-ring (2)	115110
25	Retaining ring	115020